

Surface Mount Circulator 2.4 ~ 6.0GHz

Application

- ▶ RF power amplifier protection.
- ▶ Digital, Satellite, Mobile Communication.
- ▶ Medical, Communication, Security.
- ▶ Military, Space and Commercial applications.

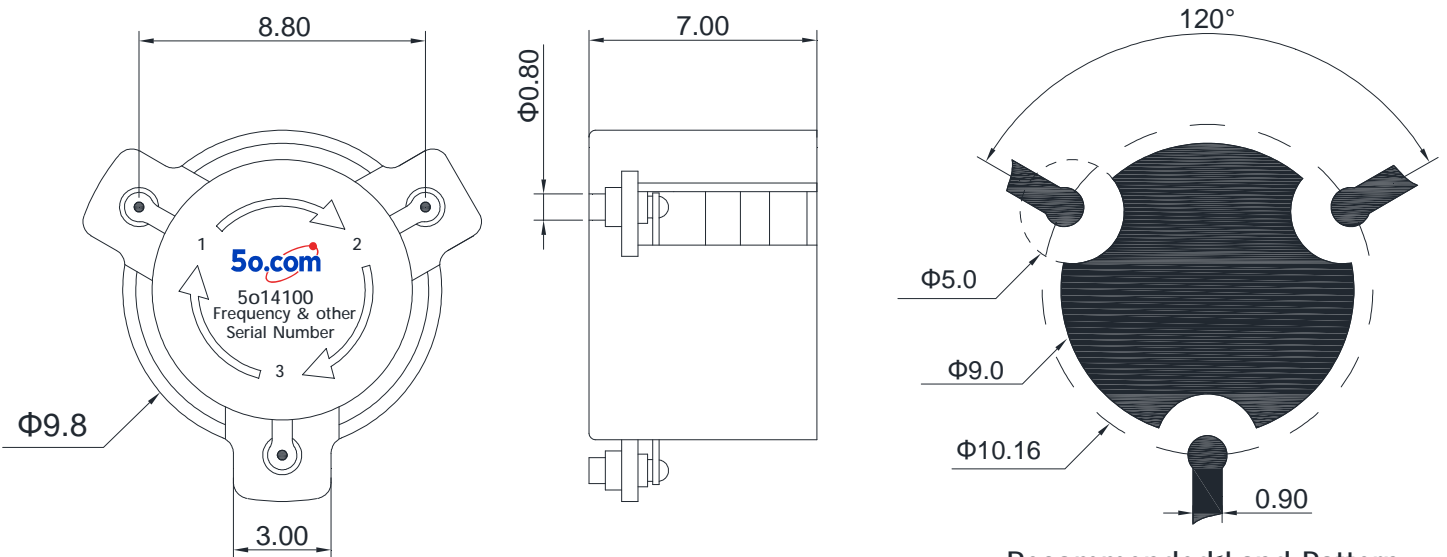
RF Characteristics

Part Number	Frequency Range (MHz)	Isolation Min(dB)	VSWR Max	Insertion Loss Max(dB)	Connector Type
5o1410024962690	2496 ~ 2690	21	1.2	0.3	SMT
5o141003234	3200 ~ 3400	21	1.2	0.3	SMT
5o141003336	3300 ~ 3600	20	1.25	0.35	SMT
5o141003436	3400 ~ 3600	21	1.2	0.3	SMT
5o14100475	4700 ~ 5000	21	1.2	0.3	SMT
5o14100485	4800 ~ 5000	21	1.2	0.3	SMT
5o1410056	5000 ~ 6000	18	1.3	0.5	SMT
5o14100555	5000 ~ 5500	20	1.25	0.4	SMT
5o14100556	5500 ~ 6000	20	1.25	0.4	SMT
5o141005759	5700 ~ 5900	21	1.2	0.3	SMT

Basic Specifications

Dimension	$\Phi 9.8 \times 7 \text{mm}$	Impedance	50Ω
Forward Power	30W	Operating Temperature	$-40 \sim +85^\circ\text{C}$
Reverse Power	30W	Storage Temperature	$-55 \sim +125^\circ\text{C}$

Overall Dimension (mm)



Recommended Land Pattern

Tolerances: $\pm 2\%$ unless otherwise stated.

Instructions

- ◆ When surface mount isolators/circulators use reflow soldering technology, the maximum temperature shall not exceed 260 degrees.
- ◆ Only some common frequencies in the table can be produced according to the user's requirements.
- ◆ It supports a one-year standard warranty.