

4 Port Dual Junction Coaxial Circulator 250 ~ 1300MHz

Application

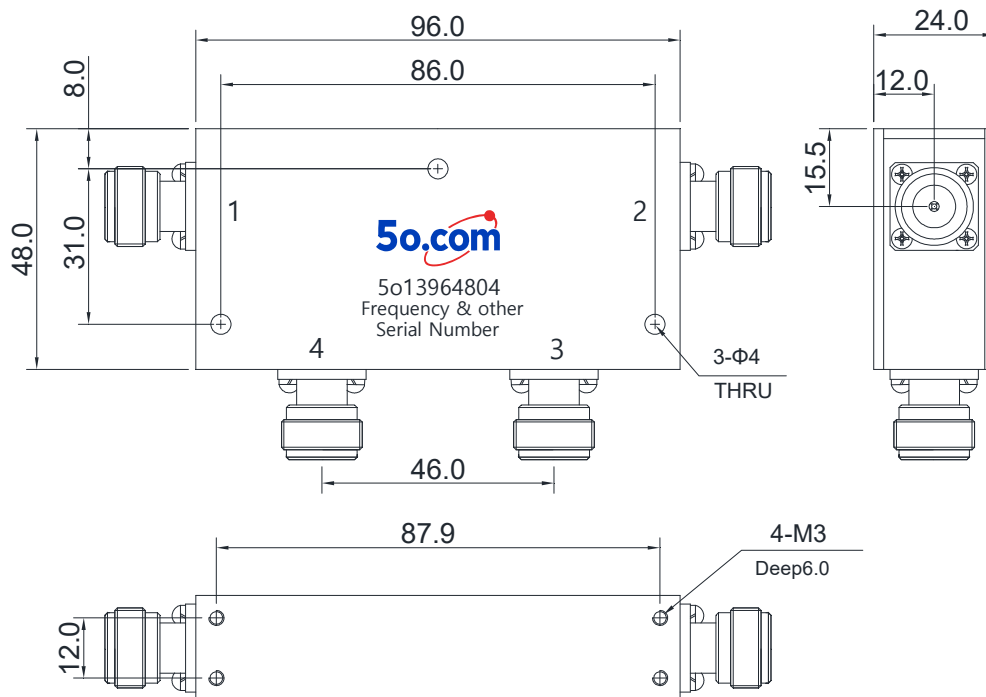
- ▶ RF power amplifier protection.
- ▶ Digital, Satellite, Mobile Communication.
- ▶ Medical, Communication, Security.
- ▶ Military, Space and Commercial applications.

RF Characteristics

Part Number	Frequency Range (MHz)	Isolation (2-1 & 4-3) Min(dB)	VSWR Max	Insertion Loss (1-2 & 3-4) Max(dB)	Connector Type	Temp.(°C)
5o13964804300350NK	300 ~ 350	45	1.2	0.6	N Female	-30 ~ +70
5o13964804350400NK	350 ~ 400	45	1.2	0.6	N Female	-30 ~ +70
5o13964804350500NK	350 ~ 500	32	1.4	1.2	N Female	-30 ~ +70
5o13964804380470NK	380 ~ 470	40	1.25	0.7	N Female	-30 ~ +70
5o13964804400470NK	400 ~ 470	45	1.2	0.6	N Female	-30 ~ +70
5o13964804400430NK	400 ~ 430	50	1.15	0.5	N Female	-30 ~ +70
5o13964804440470NK	440 ~ 470	50	1.15	0.5	N Female	-30 ~ +70
5o13964804440470NK	440 ~ 470	50	1.15	0.5	N Female	-30 ~ +70
5o13964804470570NK	470 ~ 570	40	1.25	0.8	N Female	-30 ~ +70
5o13964804480520NK	480 ~ 520	45	1.2	0.6	N Female	-30 ~ +70
5o13964804570670NK	570 ~ 670	45	1.2	0.6	N Female	-30 ~ +70
5o13964804670770NK	670 ~ 770	45	1.2	0.6	N Female	-30 ~ +70
5o139648047001000NK	700 ~ 1000	36	1.3	1.2	N Female	-30 ~ +70
5o1396480412001300NK	1200 ~ 1300	45	1.2	0.5	N Female	-30 ~ +70

Basic Specifications

Dimension	96*48*24mm	Impedance	50Ω
Forward Power	400W	Connector Type	N(Female)
Reverse Power	400W	Storage Temperature	-55~+125°C

Overall Dimension(mm)**Instructions****Tolerances: $\pm 2\%$ unless otherwise stated.**

- ◆ It can be dual junction or multiple for high isolation.
- ◆ The connector can be selected according to requirements, Connect type (N Female, etc.)
- ◆ Only some common frequencies in the table can be produced according to the user's requirements.
- ◆ It supports a one-year standard warranty.