

4 Port Dual Junction Coaxial Circulator 700 ~ 3500MHz

Application

- ▶ RF power amplifier protection.
- ▶ Digital, Satellite, Mobile Communication.
- ▶ Medical, Communication, Security.
- ▶ Military, Space and Commercial applications.

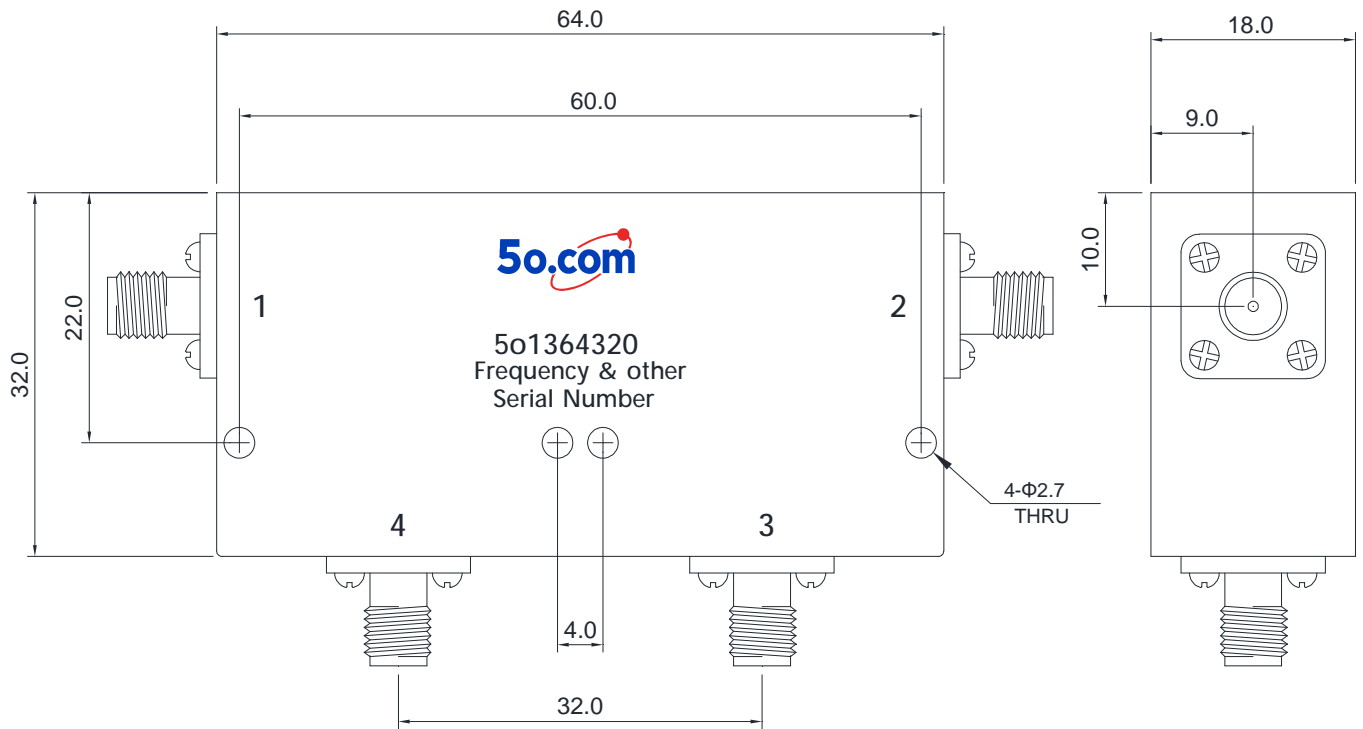
RF Characteristics

Part Number	Frequency Range (MHz)	Isolation (2-1 & 4-3) Min(dB)	VSWR Max	Insertion Loss (1-2 & 3-4) Max(dB)	Connector Type	Temp.(°C)
5o13643204800900NK	800 ~ 900	40	1.25	0.8	N Female	-30 ~ +70
5o13643204925960SK	925 ~ 960	45	1.2	0.6	SMA Female	-30 ~ +70
5o136432049601215NK	960 ~ 1215	40	1.25	0.8	N Female	-30 ~ +70
5o1364320413501500SK	1350 ~ 1500	40	1.25	0.6	SMA Female	-40 ~ +85
5o1364320414501700SK	1450 ~ 1700	40	1.25	0.8	SMA Female	-20 ~ +65
5o1364320416001700SK	1600 ~ 1700	50	1.15	0.5	SMA Female	-30 ~ +70
5o1364320416002000NK	1600 ~ 2000	36	1.3	1.0	N Female	-20 ~ +65
5o1364320417002200SK	1700 ~ 2200	36	1.3	1.0	SMA Female	-30 ~ +70
5o1364320417101785SK	1710 ~ 1785	50	1.15	0.6	SMA Female	-30 ~ +70
5o1364320418002400SK	1800 ~ 2400	36	1.3	1.0	SMA Female	-40 ~ +70
5o1364320420002500SK	2000 ~ 2500	40	1.25	0.8	SMA Female	-40 ~ +70
5o1364320420002700SK	2000 ~ 2700	36	1.3	1.0	SMA Female	-40 ~ +70
5o1364320421102170SK	2110 ~ 2170	50	1.15	0.6	SMA Female	-40 ~ +85
5o1364320423002500SK	2300 ~ 2500	45	1.2	0.6	SMA Female	-40 ~ +85
5o1364320424002600SK	2400 ~ 2600	45	1.2	0.6	SMA Female	-40 ~ +85
5o1364320425002700SK	2500 ~ 2700	45	1.2	0.6	SMA Female	-40 ~ +85
5o1364320425002700NK	2500 ~ 2700	45	1.2	0.6	N Female	-40 ~ +85
5o1364320429003100SK	2900 ~ 3100	40	1.3	0.7	SMA Female	-40 ~ +85
5o1364320431003500SK	3100 ~ 3500	40	1.3	0.7	SMA Female	-40 ~ +85

Basic Specifications

Dimension	64*32*18mm	Impedance	50Ω
Forward Power	200W	Connector Type	N, SMA(Female)
Reverse Power	200W	Storage Temperature	-55~+125°C

Overall Dimension(mm)



Instructions

Tolerances: ±2% unless otherwise stated.

- ◆It can be dual junction or multiple for high isolation.
- ◆The connector can be selected according to requirements, Connect type (SMA Female, N Female, etc.)
- ◆Only some common frequencies in the table can be produced according to the user's requirements.
- ◆It supports a one-year standard warranty.