

4 Port Dual Junction Coaxial Circulator 3.0 ~ 6.0GHz

Application

- ▶ RF power amplifier protection.
- ▶ Digital, Satellite, Mobile Communication.
- ▶ Medical, Communication, Security.
- ▶ Military, Space and Commercial applications.

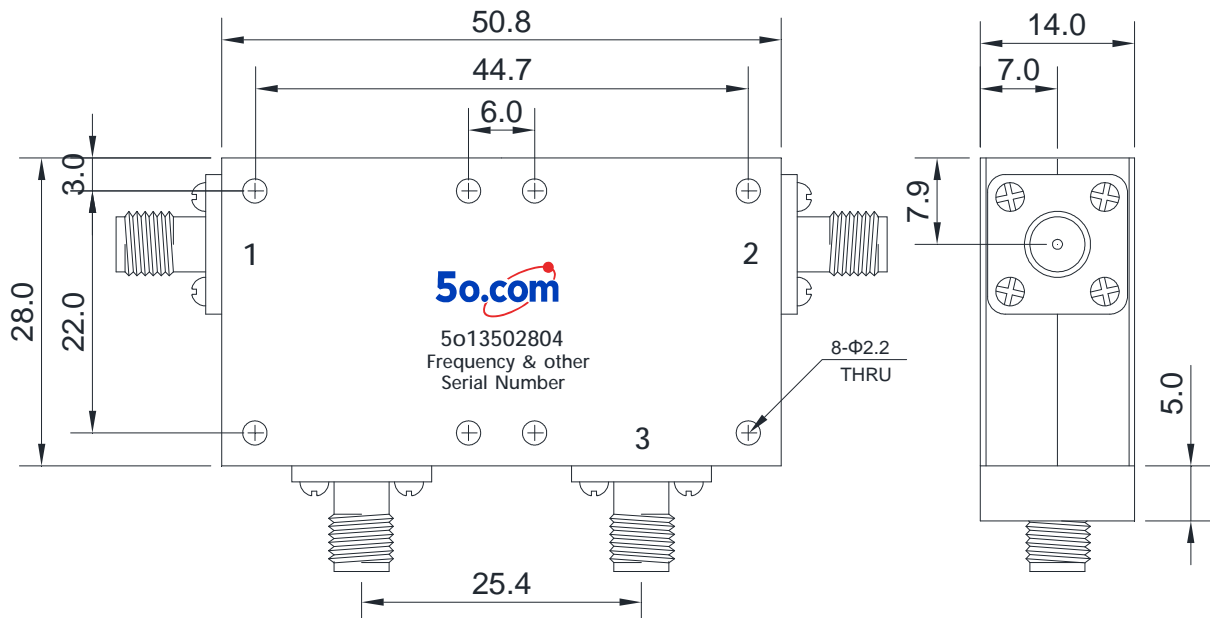
RF Characteristics

Part Number	Frequency Range (GHz)	Isolation (2-1 & 4-3) Min(dB)	VSWR Max	Insertion Loss (1-2 & 3-4) Max(dB)	Connector Type	Temp.(°C)
5o1350280436SK	3.0 ~ 6.0	36	1.3	1.0	SMA Female	-55 ~ +85
5o1350280436NK	3.0 ~ 6.0	36	1.3	1.0	N Female	-55 ~ +85

Basic Specifications

Dimension	50.8*28*14mm	Impedance	50Ω
Forward Power	100W	Connector Type	N, SMA(Female)
Reverse Power	100W	Storage Temperature	-55~+125°C

Overall Dimension(mm)



Instructions

Tolerances: ±2% unless otherwise stated.

- ◆ It can be dual junction or multiple for high isolation.
- ◆ The connector can be selected according to requirements, Connect type (SMA Female, N Female, etc.)
- ◆ Only some common frequencies in the table can be produced according to the user's requirements.
- ◆ It supports a one-year standard warranty.