

Dual Junction Coaxial Circulator 3.5 to 7.0GHz

Application

- ▶ RF power amplifier protection.
- ▶ Digital, Satellite, Mobile Communication.
- ▶ Medical, Communication, Security.
- ▶ Military, Space and Commercial applications.

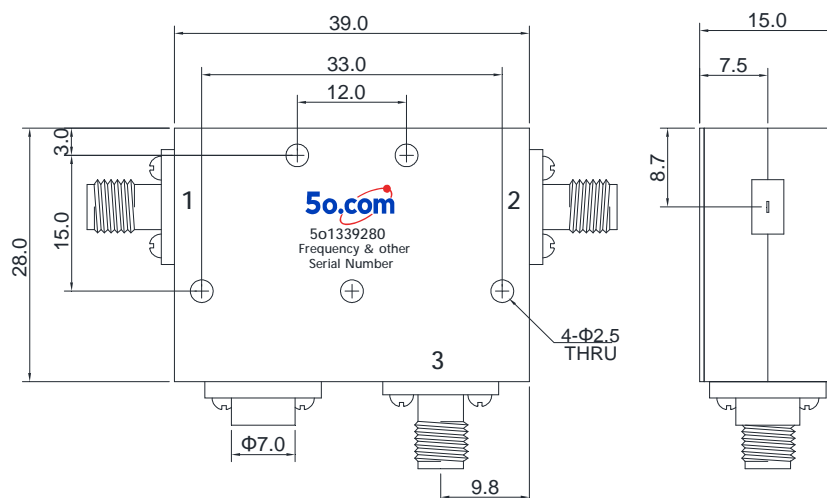
RF Characteristics

Part Number	Frequency Range (GHz)	Isolation (2-1) Min(dB)	VSWR Max	Insertion Loss (1-2) Max(dB)	Connector Type	Temp.(°C)
5o13392804247SK	4.2 ~ 4.7	40	1.25	0.7	SMA Female	-40 ~ +85
5o1339280445SK	4.4 ~ 5.0	40	1.25	0.8	SMA Female	-40 ~ +85
5o13392804951SK	4.9 ~ 5.1	45	1.2	0.7	SMA Female	-40 ~ +85
5o1339280555SK	5.0 ~ 5.5	40	1.25	0.8	SMA Female	-40 ~ +85
5o13392805459SK	5.4 ~ 5.9	45	1.2	0.8	SMA Female	-40 ~ +85
5o1339280566SK	5.6 ~ 6.0	45	1.2	0.6	SMA Female	-40 ~ +85
5o13392805765SK	5.7 ~ 6.5	40	1.25	1	SMA Female	-40 ~ +85
5o133928067SK	6.0 ~ 7.0	40	1.25	0.8	SMA Female	-40 ~ +85

Basic Specifications

Dimension	39*28*15mm	Impedance	50Ω
Forward Power	60W	Connector Type	SMA(Female/Male)
Reverse Power	60W	Storage Temperature	-55~+125°C

Overall Dimension(mm)



Instructions

- ◆ It can be dual junction or multiple for high isolation.
- ◆ The connector can be selected according to requirements, Connect type (SMA Male/Female, etc.)
- ◆ Only some common frequencies in the table can be produced according to the user's requirements.
- ◆ It supports a one-year standard warranty.

Tolerances: ±2% unless otherwise stated.