

# 4 Port Dual Junction Coaxial Circulator 8.0 ~ 12.0GHz

## Application

- ▶ RF power amplifier protection.
- ▶ Digital, Satellite, Mobile Communication.
- ▶ Medical, Communication, Security.
- ▶ Military, Space and Commercial applications.

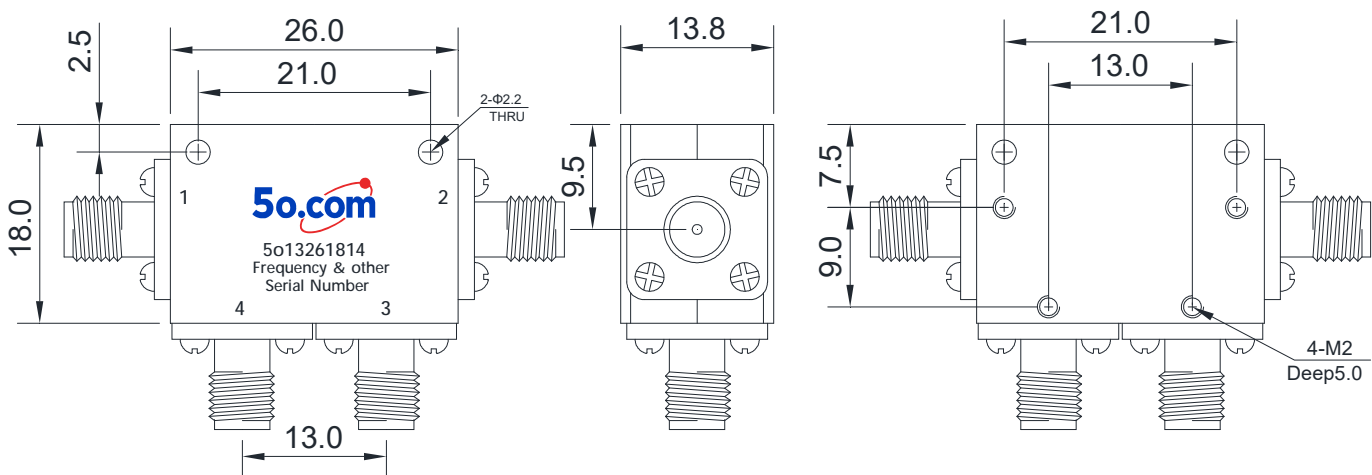
## RF Characteristics

Part Number	Frequency Range (GHz)	Isolation Min(dB)		VSWR Max	Insertion Loss Max(dB)		Connector Type	Temp.(°C)
		2-1 4-3	1-4 3-2		1-2 3-4	2-3 4-1		
5o13261814812SK	8.0 ~ 12.0	36	18	1.3	1.0	0.5	SMA Female	-55 ~ +85
5o13261814812SJSKSKSK	8.0 ~ 12.0	36	18	1.3	1.0	0.5	SMA Male @Port 1 SMA Female @Other	-55 ~ +85
5o13261814812SKSJSKSK	8.0 ~ 12.0	36	18	1.3	1.0	0.5	SMA Male @Port 1 SMA Female @Other	-55 ~ +85

## Basic Specifications

Dimension	26*18*13.8mm	Impedance	50Ω
Forward Power	60W	Connector Type	SMA(Female/Male)
Reverse Power	60W	Storage Temperature	-55~+125°C

## Overall Dimension(mm)



## Instructions

Tolerances: ±2% unless otherwise stated.

- ◆ It can be dual junction or multiple for high isolation.
- ◆ The connector can be selected according to requirements, Connect type (SMA Male/Female, etc.)
- ◆ Only some common frequencies in the table can be produced according to the user's requirements.
- ◆ It supports a one-year standard warranty.