

Dual Junction Coaxial Circulator 8.0 ~ 12.0GHz

Application

- ▶ RF power amplifier protection.
- ▶ Digital, Satellite, Mobile Communication.
- ▶ Medical, Communication, Security.
- ▶ Military, Space and Commercial applications.

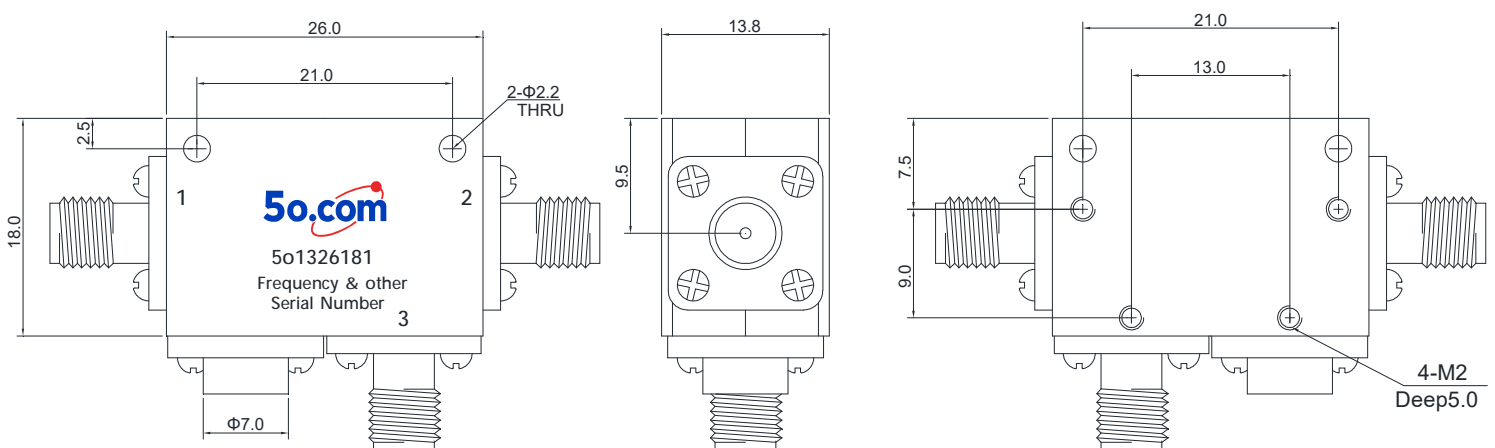
RF Characteristics

Part Number	Frequency Range (GHz)	Isolation Min(dB)		VSWR Max	Insertion Loss Max(dB)		Connector Type	Temp.(°C)
		2-1	1-3 3-2 3-1		1-2	2-3		
5o1326181812SK	8.0 ~ 12.0	36	18	1.3	1.0	0.5	SMA Female	-55 ~ +85
5o1326181812SJSKSK	8.0 ~ 12.0	36	18	1.3	1.0	0.5	SMA Male @Port 1 SMA Female @Other	-55 ~ +85
5o1326181812SKSJSK	8.0 ~ 12.0	36	18	1.3	1.0	0.5	SMA Male @Port 1 SMA Female @Other	-55 ~ +85

Basic Specifications

Dimension	26*18*13.8mm	Impedance	50Ω
Forward Power	60W	Connector Type	SMA(Female/Male)
Reverse Power	60W	Storage Temperature	-55~+125°C

Overall Dimension(mm)



Instructions

- ◆ It can be dual junction or multiple for high isolation.
- ◆ The connector can be selected according to requirements, Connect type (SMA Male/Female, etc.)
- ◆ Only some common frequencies in the table can be produced according to the user's requirements.
- ◆ It supports a one-year standard warranty.

Tolerances: ±2% unless otherwise stated.