

Dual Junction Coaxial Circulator 10 ~ 55MHz

Application

- ▶ RF power amplifier protection.
- ▶ Digital, Satellite, Mobile Communication.
- ▶ Medical, Communication, Security.
- ▶ Military, Space and Commercial applications.

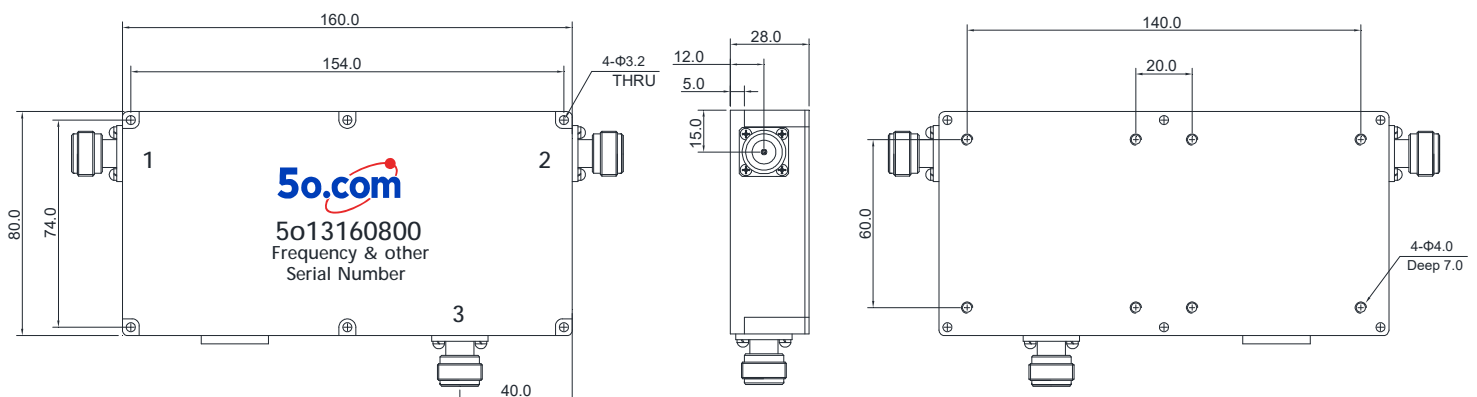
RF Characteristics

Part Number	Frequency Range (MHz)	Isolation (2-1) Min(dB)	VSWR Max	Insertion Loss (1-2) Max(dB)	Connector Type	Temp.(°C)
5o131608002530SK	25 ~ 30	24	1.45	7.0	SMA Female	+10 ~ +60
5o131608002628SK	26 ~ 28	30	1.45	6.0	SMA Female	+10 ~ +60
5o13160800285305NK	28.5 ~ 30.5	32	1.4	5.6	N Female	+10 ~ +60
5o131608003032NK	30 ~ 32	32	1.4	3.6	N Female	+10 ~ +60
5o131608003035SK	30 ~ 35	32	1.4	6.0	SMA Female	+10 ~ +60
5o131608003545SK	35 ~ 45	40	1.4	5.0	SMA Female	+10 ~ +60
5o131608004450NKNJNK	44 ~ 50	40	1.25	2.4	N Female to	25±5
		34	1.35	3.0	N Male to N Female	+20 ~ +60

Basic Specifications

Dimension	160*80*28mm	Impedance	50Ω
Forward Power	50W	Connector Type	N, SMA(Female/Male)
Reverse Power	50W	Storage Temperature	-55~+125°C

Overall Dimension(mm)



Instructions

Tolerances: ±2% unless otherwise stated.

- ◆ It can be dual junction or multiple for high isolation.
- ◆ The connector can be selected according to requirements, Connect type (SMA Female, N Male/ Female, etc.)
- ◆ Only some common frequencies in the table can be produced according to the user's requirements.
- ◆ It supports a one-year standard warranty.