

# Dual Junction Coaxial Circulator 1.0 ~ 2.0GHz

## Application

- ▶ RF power amplifier protection.
- ▶ Digital, Satellite, Mobile Communication.
- ▶ Medical, Communication, Security.
- ▶ Military, Space and Commercial applications.

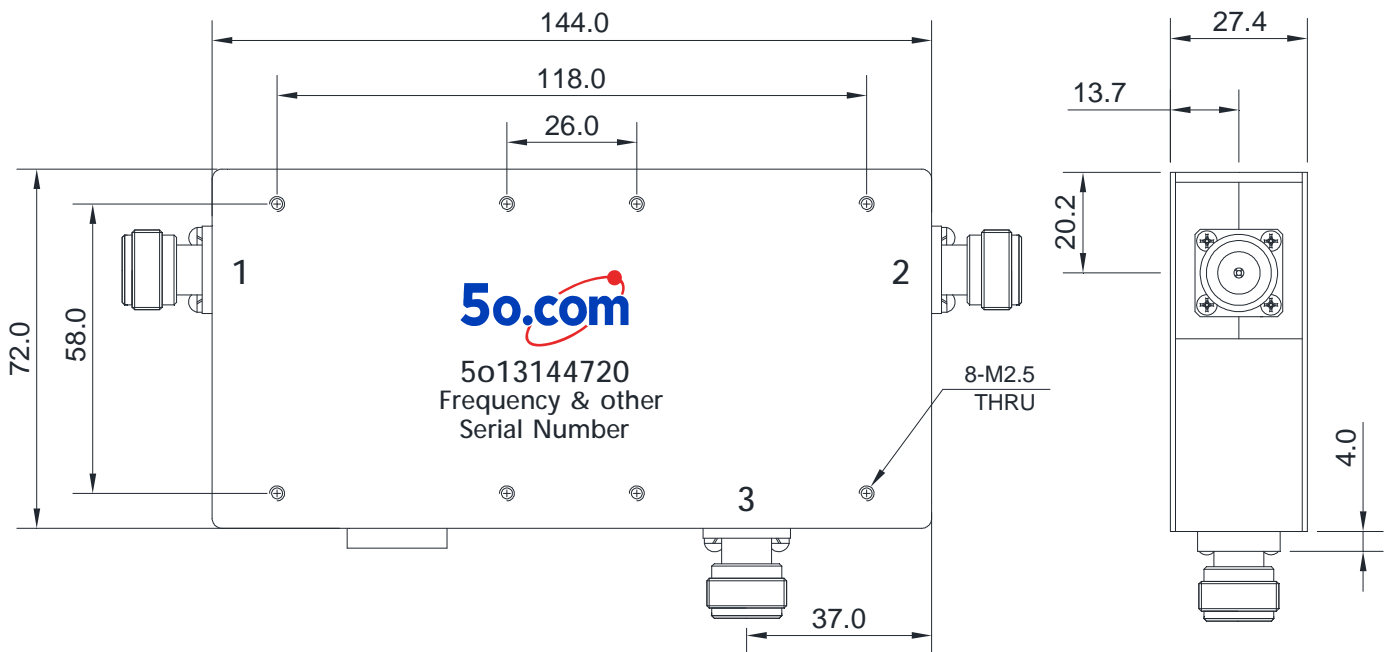
## RF Characteristics

Part Number	Frequency Range (GHz)	Isolation (2-1) Min(dB)	VSWR Max	Insertion Loss (1-2) Max(dB)	Forward Power(W)	Reverse Power(W)	Connector Type
5o1314472012NK	1.0 ~ 2.0	33	1.4	1.4	300	300	N Female
5o1314472012SK	1.0 ~ 2.0	33	1.4	1.4	100	100	SMA Female

## Basic Specifications

Dimension	144*72*27.4mm	Impedance	50Ω
Operating Temp	+10 ~ +70°C	Storage Temperature	-55~+125°C

## Overall Dimension(mm)



## Instructions

Tolerances: ±2% unless otherwise stated.

- ◆ It can be dual junction or multiple for high isolation.
- ◆ The connector can be selected according to requirements, Connect type (SMA Male/Female, N Male/ Female, etc.)
- ◆ Only some common frequencies in the table can be produced according to the user's requirements.
- ◆ It supports a one-year standard warranty.