

4 Port Dual Junction Coaxial Circulator 45 ~ 270MHz

Application

- ▶ RF power amplifier protection.
- ▶ Digital, Satellite, Mobile Communication.
- ▶ Medical, Communication, Security.
- ▶ Military, Space and Commercial applications.

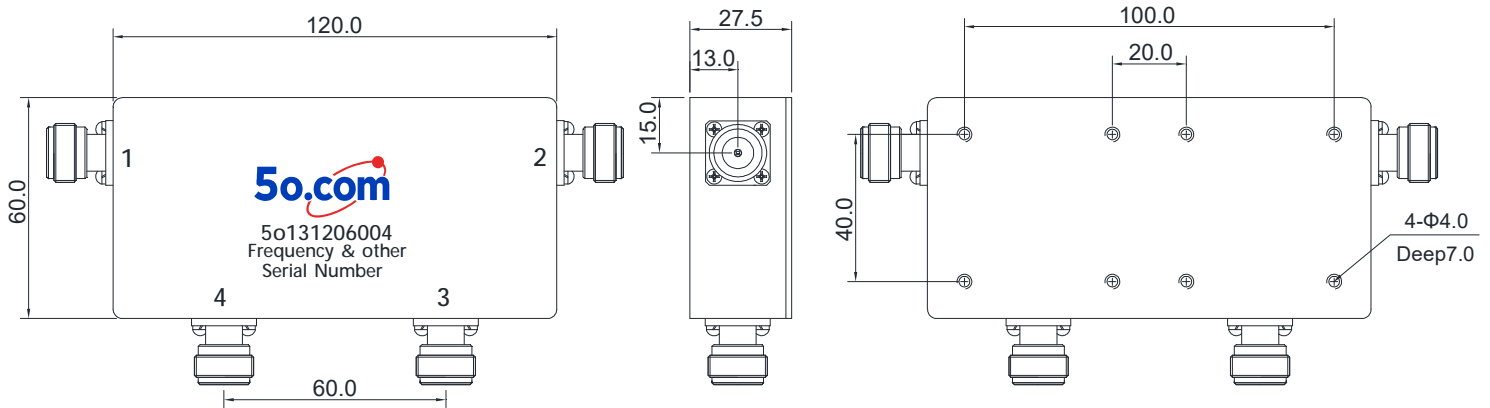
RF Characteristics

Part Number	Frequency Range (MHz)	Isolation (2-1 & 4-3) Min(dB)	VSWR Max	Insertion Loss (1-2 & 3-4) Max(dB)	Connector Type	Temp.(°C)
5o1312060044550SK	45 ~ 50	36	1.3	3.0	SMA Female	-10 ~ +65
5o1312060044555SK	45 ~ 55	36	1.3	3.6	SMA Female	-10 ~ +65
5o1312060045075SK	50 ~ 75	40	1.25	3.6	SMA Female	-10 ~ +65
5o1312060045575SK	55 ~ 75	40	1.25	2.5	SMA Female	-10 ~ +65
5o1312060046065NK	60 ~ 65	40	1.25	2.0	N Female	-10 ~ +65
5o1312060046570NK	65 ~ 70	40	1.25	2.0	N Female	-10 ~ +65
5o1312060046888SK	68 ~ 88	36	1.3	2.5	SMA Female	-20 ~ +65
5o1312060047085SK	70 ~ 85	40	1.25	1.6	SMA Female	-20 ~ +65
5o1312060047090NK	70 ~ 90	40	1.25	2.0	N Female	-20 ~ +65
5o13120600480120SK	80 ~ 120	36	1.3	2.0	SMA Female	0 ~ +65
5o13120600485135NK	85 ~ 135	36	1.3	2.4	N Female	-10 ~ +65
5o13120600487108NK	87 ~ 108	40	1.25	1.2	N Female	-20 ~ +65
5o13120600487108NKP200	87 ~ 108	40	1.25	1.2	N Female	-20 ~ +65
5o13120600488138NK	88 ~ 138	36	1.3	2.0	N Female	-10 ~ +65
5o131206004100130NK	100 ~ 130	40	1.25	1.2	N Female	-30 ~ +70
5o131206004100150SK	100 ~ 150	40	1.25	2.0	SMA Female	-10 ~ +65
5o131206004108118NK	108 ~ 118	45	1.2	1.0	N Female	-30 ~ +70
5o131206004108118NKP200	108 ~ 118	45	1.2	1.0	N Female	-30 ~ +70
5o131206004112156NK	112 ~ 156	40	1.25	1.6	N Female	-30 ~ +70
5o131206004118137NK	118 ~ 137	45	1.2	1.0	N Female	-30 ~ +70
5o131206004118137NKP200	118 ~ 137	45	1.2	1.0	N Female	-30 ~ +70
5o131206004130180SK	130 ~ 180	40	1.25	1.2	SMA Female	-30 ~ +70
5o131206004136174SK	136 ~ 174	44	1.2	1.0	SMA Female	-30 ~ +70
5o131206004136174NKP200	136 ~ 174	44	1.2	1.0	N Female	-30 ~ +70
5o131206004148174NKP150	148 ~ 174	50	1.15	1.0	N Female	-30 ~ +70
5o131206004150200NK	150 ~ 200	40	1.25	1.2	N Female	-30 ~ +70
5o131206004150225SK	150 ~ 225	36	1.3	1.8	SMA Female	-30 ~ +70
5o131206004170200NK	170 ~ 200	40	1.25	1.0	N Female	-30 ~ +70
5o131206004170200NKP200	170 ~ 200	40	1.25	1.0	N Female	-30 ~ +70
5o131206004180220SJSKSKSK	180 ~ 220	40	1.25	1.0	SMA Male @Port 1 SMA Female @Other	-30 ~ +70
5o131206004200270NK	200 ~ 270	40	1.25	1.4	N Female	-30 ~ +70

Basic Specifications

Dimension	120*60*28mm	Impedance	50Ω
Forward Power	200W	Connector Type	N, SMA(Female/Male)
Reverse Power	200W	Storage Temperature	-55~+125°C

Overall Dimension(mm)



Instructions

Tolerances: ±2% unless otherwise stated.

- ◆ It can be dual junction or multiple for high isolation.
- ◆ The connector can be selected according to requirements, Connect type (SMA Male/Female, N Female, etc.)
- ◆ Only some common frequencies in the table can be produced according to the user's requirements.
- ◆ It supports a one-year standard warranty.