

Dual Junction Coaxial Circulator 45 ~ 270MHz

Application

- ▶ RF power amplifier protection.
- ▶ Medical, Communication, Security.
- ▶ Digital, Satellite, Mobile Communication.
- ▶ Military, Space and Commercial applications.

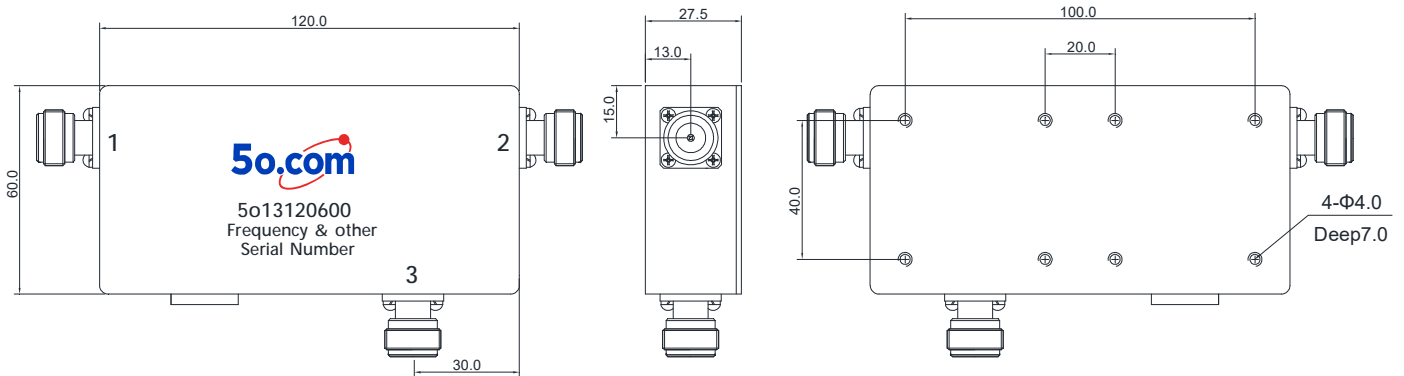
RF Characteristics

| Part Number | Frequency Range (MHz) | Isolation (2-1) Min(dB) | VSWR Max | Insertion Loss (1-2) Max(dB) | Connector Type | Temp.(°C) |
|------------------------|-----------------------|-------------------------|----------|------------------------------|--|-----------|
| 5o131206004550SK | 45 ~ 50 | 36 | 1.3 | 3.0 | SMA Female | -10 ~ +65 |
| 5o131206004555SK | 45 ~ 55 | 36 | 1.3 | 3.6 | SMA Female | -10 ~ +65 |
| 5o131206005075SK | 50 ~ 75 | 40 | 1.25 | 3.6 | SMA Female | -10 ~ +65 |
| 5o131206005575SK | 55 ~ 75 | 40 | 1.25 | 2.5 | SMA Female | -10 ~ +65 |
| 5o131206006065NK | 60 ~ 65 | 40 | 1.25 | 2.0 | N Female | -10 ~ +65 |
| 5o131206006570NK | 65 ~ 70 | 40 | 1.25 | 2.0 | N Female | -10 ~ +65 |
| 5o131206006888SK | 68 ~ 88 | 36 | 1.3 | 2.5 | SMA Female | -20 ~ +65 |
| 5o131206007085SK | 70 ~ 85 | 40 | 1.25 | 1.6 | SMA Female | -20 ~ +65 |
| 5o131206007090NK | 70 ~ 90 | 40 | 1.25 | 2.0 | N Female | -20 ~ +65 |
| 5o1312060080120SK | 80 ~ 120 | 36 | 1.3 | 2.0 | SMA Female | 0 ~ +65 |
| 5o1312060085135NK | 85 ~ 135 | 36 | 1.3 | 2.4 | N Female | -10 ~ +65 |
| 5o1312060087108NK | 87 ~ 108 | 40 | 1.25 | 1.2 | N Female | -20 ~ +65 |
| 5o1312060087108NKP200 | 87 ~ 108 | 40 | 1.25 | 1.2 | N Female | -20 ~ +65 |
| 5o1312060088138NK | 88 ~ 138 | 36 | 1.3 | 2.0 | N Female | -10 ~ +65 |
| 5o13120600100130NK | 100 ~ 130 | 40 | 1.25 | 1.2 | N Female | -30 ~ +70 |
| 5o13120600100150SK | 100 ~ 150 | 40 | 1.25 | 2.0 | SMA Female | -10 ~ +65 |
| 5o13120600108118NK | 108 ~ 118 | 45 | 1.2 | 1.0 | N Female | -30 ~ +70 |
| 5o13120600108118NKP200 | 108 ~ 118 | 45 | 1.2 | 1.0 | N Female | -30 ~ +70 |
| 5o13120600112156NK | 112 ~ 156 | 40 | 1.25 | 1.6 | N Female | -30 ~ +70 |
| 5o13120600118137NK | 118 ~ 137 | 45 | 1.2 | 1.0 | N Female | -30 ~ +70 |
| 5o13120600118137NKP200 | 118 ~ 137 | 45 | 1.2 | 1.0 | N Female | -30 ~ +70 |
| 5o13120600130180SK | 130 ~ 180 | 40 | 1.25 | 1.2 | SMA Female | -30 ~ +70 |
| 5o13120600136174SK | 136 ~ 174 | 44 | 1.2 | 1.0 | SMA Female | -30 ~ +70 |
| 5o13120600136174NKP200 | 136 ~ 174 | 44 | 1.2 | 1.0 | N Female | -30 ~ +70 |
| 5o13120600148174NKP150 | 148 ~ 174 | 50 | 1.15 | 1.0 | N Female | -30 ~ +70 |
| 5o13120600150200NK | 150 ~ 200 | 40 | 1.25 | 1.2 | N Female | -30 ~ +70 |
| 5o13120600150225SK | 150 ~ 225 | 36 | 1.3 | 1.8 | SMA Female | -30 ~ +70 |
| 5o13120600170200NK | 170 ~ 200 | 40 | 1.25 | 1.0 | N Female | -30 ~ +70 |
| 5o13120600170200NKP200 | 170 ~ 200 | 40 | 1.25 | 1.0 | N Female | -30 ~ +70 |
| 5o13120600180220SJSKSK | 180 ~ 220 | 40 | 1.25 | 1.0 | SMA Male to SMA Female to SMA Female | -30 ~ +70 |
| 5o13120600200270NK | 200 ~ 270 | 40 | 1.25 | 1.4 | N Female | -30 ~ +70 |

Basic Specifications

| | | | |
|----------------------|--------------------|----------------------------|----------------------------|
| Dimension | 120*60*28mm | Impedance | 50Ω |
| Forward Power | 200W | Connector Type | N, SMA(Female/Male) |
| Reverse Power | 200W | Storage Temperature | -55~+125°C |

Overall Dimension(mm)



Instructions

Tolerances: $\pm 2\%$ unless otherwise stated.

- ◆ It can be dual junction or multiple for high isolation.
- ◆ The connector can be selected according to requirements, Connect type (SMA Male/Female, N Female, etc.)
- ◆ Only some common frequencies in the table can be produced according to the user's requirements.
- ◆ It supports a one-year standard warranty.