

# 4 Port Dual Junction Coaxial Circulator 130 ~ 900MHz

## Application

- ▶ RF power amplifier protection.
- ▶ Digital, Satellite, Mobile Communication.
- ▶ Medical, Communication, Security.
- ▶ Military, Space and Commercial applications.

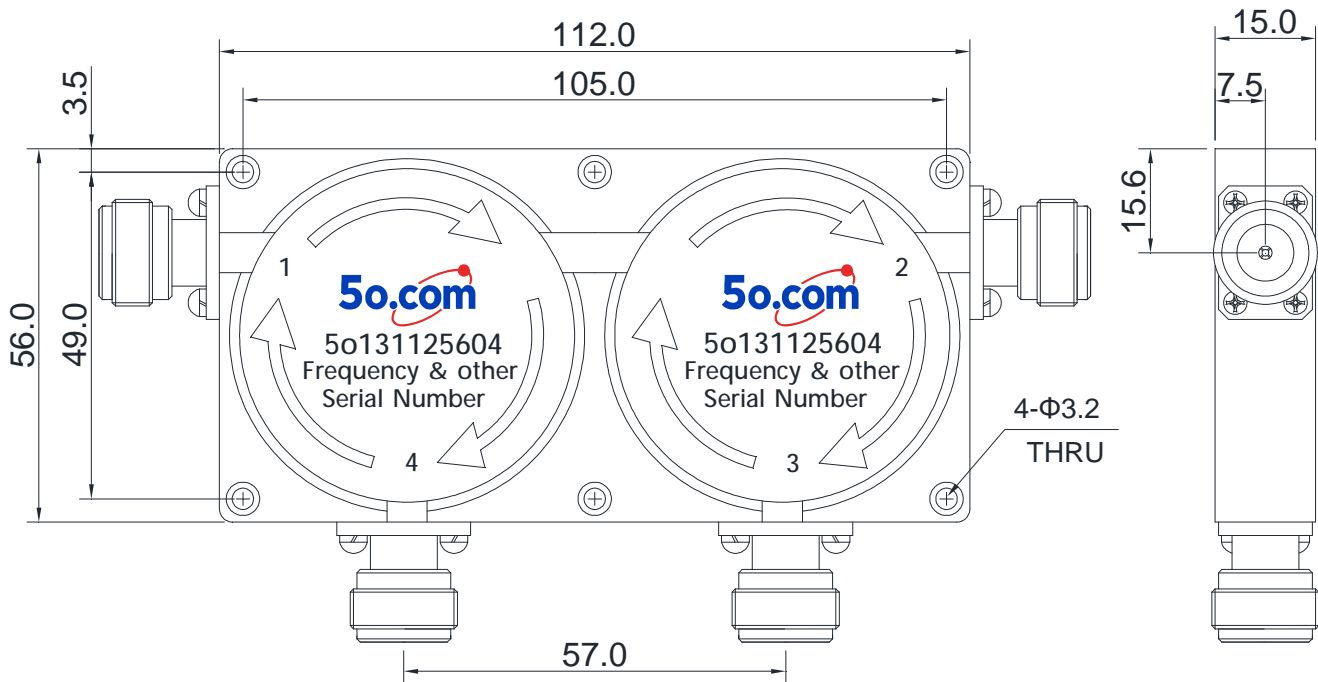
## RF Characteristics

Part Number	Frequency Range (MHz)	Isolation (2-1 & 4-3) Min(dB)	VSWR Max	Insertion Loss (1-2 & 3-4) Max(dB)	Connector Type	Temp.(°C)
5o131125604145150SK	136 ~ 150	36	1.3	1.0	SMA Female	-10 ~ +60
5o131125604150155NK	150 ~ 155	40	1.25	1.0	N Female	-10 ~ +70
5o131125604150170SK	150 ~ 170	36	1.3	1.2	SMA Female	-10 ~ +70
5o131125604168171SK	168 ~ 171	46	1.2	0.8	SMA Female	-30 ~ +70
5o131125604170200NK	170 ~ 200	36	1.3	1.4	N Female	-30 ~ +70
5o131125604180220SK	180 ~ 220	36	1.3	1.0	SMA Female	-30 ~ +70
5o131125604192232SK	192 ~ 232	40	1.25	0.8	SMA Female	-30 ~ +70
5o13112560419752075SJSKSKSK	197.5~207.5	46	1.2	0.8	SMA Male @ Port 1 SMA Female @Other	-30 ~ +70
5o131125604200250SK	200 ~ 250	40	1.25	1.2	SMA Female	-30 ~ +70
5o131125604230250NK	230 ~ 250	46	1.2	0.6	N Female	-30 ~ +70
5o131125604250300SK	250 ~ 300	40	1.25	0.8	SMA Female	-30 ~ +70
5o131125604500750SK	500 ~ 750	32	1.4	1.0	SMA Female	-30 ~ +70
5o131125604600900SK	600 ~ 900	34	1.35	1.0	SMA Female	-30 ~ +70

## Basic Specifications

<b>Dimension</b>	112*56*15mm	<b>Impedance</b>	50Ω
<b>Forward Power</b>	300W	<b>Connector Type</b>	N, SMA(Female/Male)
<b>Reverse Power</b>	300W	<b>Storage Temperature</b>	-55~+125°C

## Overall Dimension(mm)



## Instructions

Tolerances:  $\pm 2\%$  unless otherwise stated.

- ◆ It can be dual junction or multiple for high isolation.
- ◆ The connector can be selected according to requirements, Connect type (SMA Male/Female, N Female, etc.)
- ◆ Only some common frequencies in the table can be produced according to the user's requirements.
- ◆ It supports a one-year standard warranty.