

3 Port Dual Junction Coaxial Circulator 130 ~ 900MHz

Application

- ▶ RF power amplifier protection.
- ▶ Digital, Satellite, Mobile Communication.
- ▶ Medical, Communication, Security.
- ▶ Military, Space and Commercial applications.

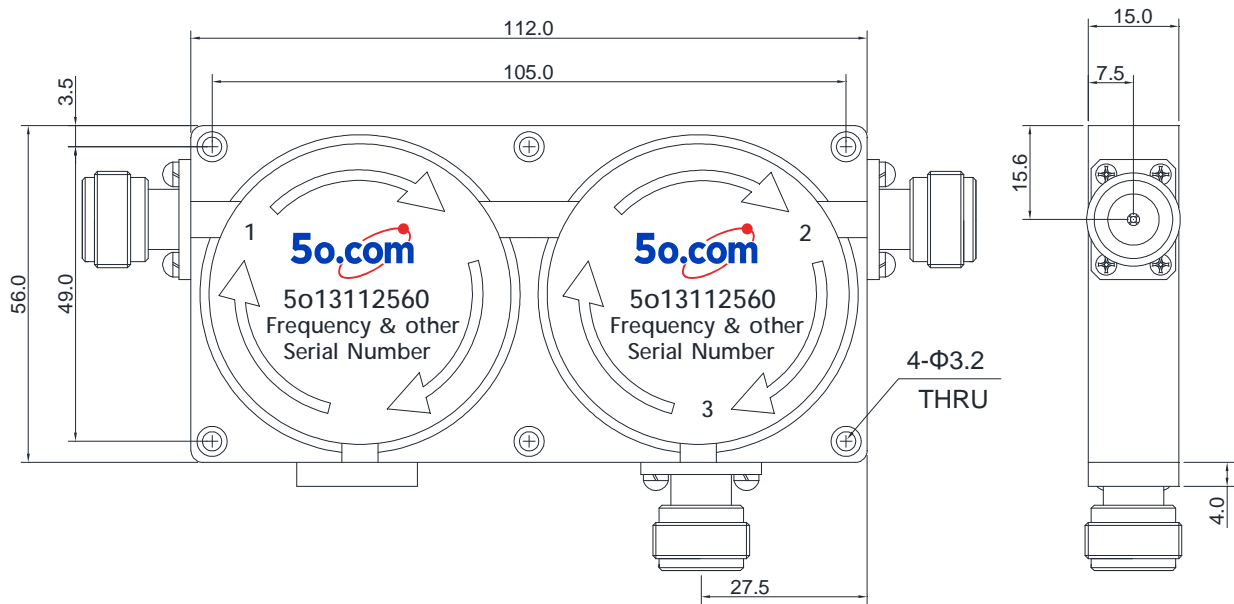
RF Characteristics

Part Number	Frequency Range (MHz)	Isolation (2-1) Min(dB)	VSWR Max	Insertion Loss (1-2) Max(dB)	Connector Type	Temp.(°C)
5o13112560145150SK	136 ~ 150	36	1.3	1	SMA Female	-10 ~ +60
5o13112560150155NK	150 ~ 155	40	1.25	1	N Female	-10 ~ +70
5o13112560150170SK	150 ~ 170	36	1.3	1.2	SMA Female	-10 ~ +70
5o13112560168171SK	168 ~ 171	46	1.2	0.8	SMA Female	-30 ~ +70
5o13112560170200NK	170 ~ 200	36	1.3	1.4	N Female	-30 ~ +70
5o13112560180220SK	180 ~ 220	36	1.3	1	SMA Female	-30 ~ +70
5o13112560192232SK	192 ~ 232	40	1.25	0.8	SMA Female	-30 ~ +70
5o1311256019752075SJSKSK	197.5~207.5	46	1.2	0.8	SMA Male @ Port 1 SMA Female @Other	-30 ~ +70
5o13112560200250SK	200 ~ 250	40	1.25	1.2	SMA Female	-30 ~ +70
5o13112560230250NK	230 ~ 250	46	1.2	0.6	N Female	-30 ~ +70
5o13112560250300SK	250 ~ 300	40	1.25	0.8	SMA Female	-30 ~ +70
5o13112560500750SK	500 ~ 750	32	1.4	1	SMA Female	-30 ~ +70
5o13112560600900SK	600 ~ 900	34	1.35	1	SMA Female	-30 ~ +70

Basic Specifications

Dimension	112*56*15mm	Impedance	50Ω
Forward Power	300W	Connector Type	N, SMA(Female/Male)
Reverse Power	300W	Storage Temperature	-55~+125°C

Overall Dimension(mm)



Instructions

Tolerances: $\pm 2\%$ unless otherwise stated.

- ◆ It can be dual junction or multiple for high isolation.
- ◆ The connector can be selected according to requirements, Connect type (SMA Male/Female, N Female, etc.)
- ◆ Only some common frequencies in the table can be produced according to the user's requirements.
- ◆ It supports a one-year standard warranty.