

Dual Junction Coaxial Circulator 1.5 ~ 3.0GHz

Application

- ▶ RF power amplifier protection.
- ▶ Digital, Satellite, Mobile Communication.
- ▶ Medical, Communication, Security.
- ▶ Military, Space and Commercial applications.

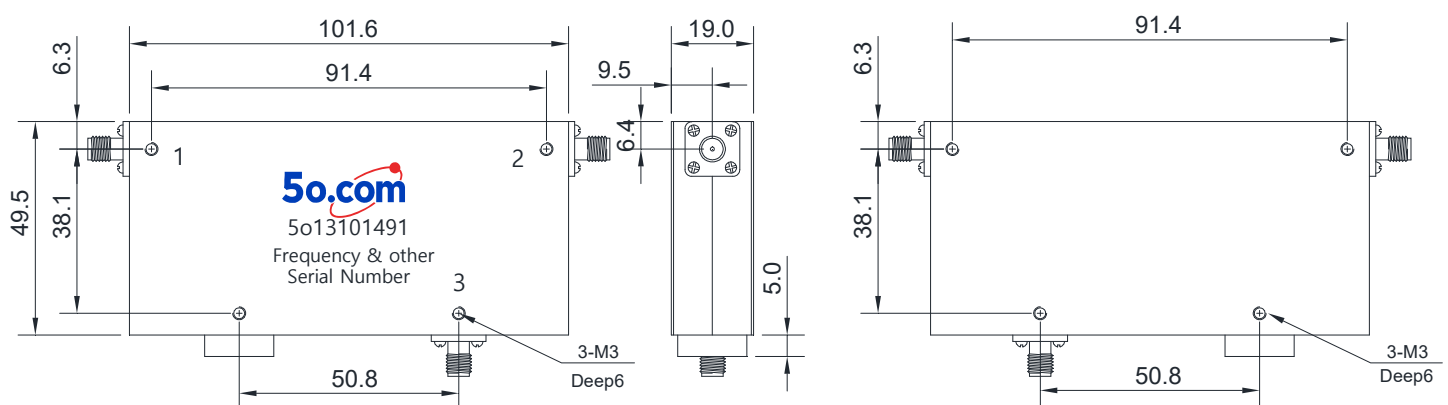
RF Characteristics

Part Number	Frequency Range (GHz)	Isolation (2-1) Min(dB)	VSWR Max	Insertion Loss (1-2) Max(dB)	Connector Type	Temp.(°C)
5o13101491153SK	1.5 ~ 3.0	34	1.35	1.0	SMA Female	0 ~ +70
5o13101491153NK	1.5 ~ 3.0	34	1.35	1.0	N Female	0 ~ +70

Basic Specifications

Dimension	101.6*49.5*19mm	Impedance	50Ω
Forward Power	100W	Connector Type	N, SMA(Female)
Reverse Power	100W	Storage Temperature	-55~+125°C

Overall Dimension(mm)



Instructions

Tolerances: ±2% unless otherwise stated.

- ◆ It can be dual junction or multiple for high isolation.
- ◆ The connector can be selected according to requirements, Connect type (SMA Female, N Female, etc.)
- ◆ Only some common frequencies in the table can be produced according to the user's requirements.
- ◆ It supports a one-year standard warranty.