

# Dual Junction Coaxial Circulator 1.35 ~ 2.7GHz

## Application

- ▶ RF power amplifier protection.
- ▶ Digital, Satellite, Mobile Communication.
- ▶ Medical, Communication, Security.
- ▶ Military, Space and Commercial applications.

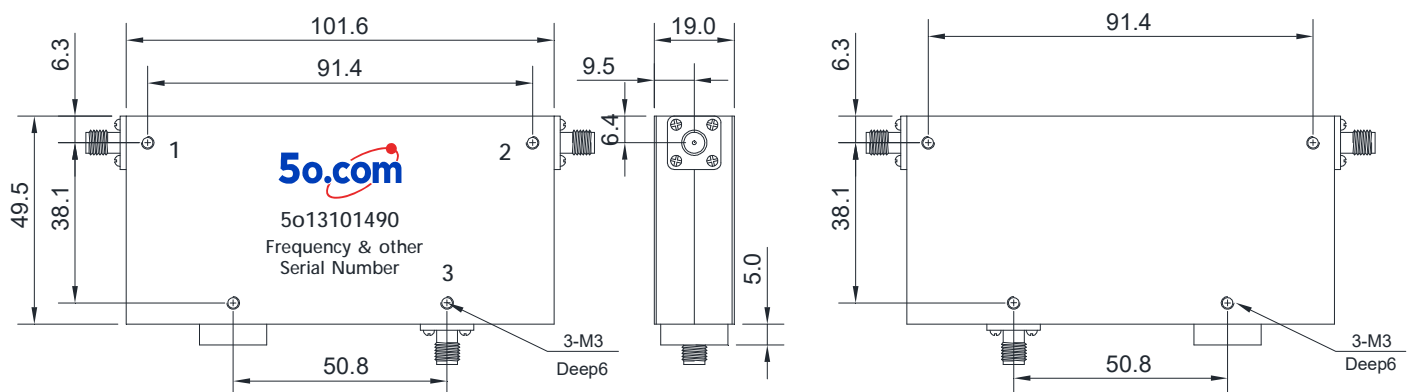
## RF Characteristics

Part Number	Frequency Range (GHz)	Isolation (2-1) Min(dB)	VSWR Max	Insertion Loss (1-2) Max(dB)	Connector Type	Temp.(°C)
5o1310149013527SK	1.35 ~ 2.7	36	1.3	1.0	SMA Female	0 ~ +70
5o1310149013527NK	1.35 ~ 2.7	36	1.3	1.0	N Female	0 ~ +70

## Basic Specifications

Dimension	101.6*49.5*19mm	Impedance	50Ω
Forward Power	100W	Connector Type	N, SMA(Female)
Reverse Power	100W	Storage Temperature	-55~+125°C

## Overall Dimension(mm)



## Instructions

Tolerances:  $\pm 2\%$  unless otherwise stated.

- ◆ It can be dual junction or multiple for high isolation.
- ◆ The connector can be selected according to requirements, Connect type (SMA Female, N Female, etc.)
- ◆ Only some common frequencies in the table can be produced according to the user's requirements.
- ◆ It supports a one-year standard warranty.