

## 3 Port Dual Junction Drop in Circulator 200 ~ 1875MHz

### Application

- ▶ RF power amplifier protection.
- ▶ Digital, Satellite, Mobile Communication.
- ▶ Medical, Communication, Security.
- ▶ Military, Space and Commercial applications.

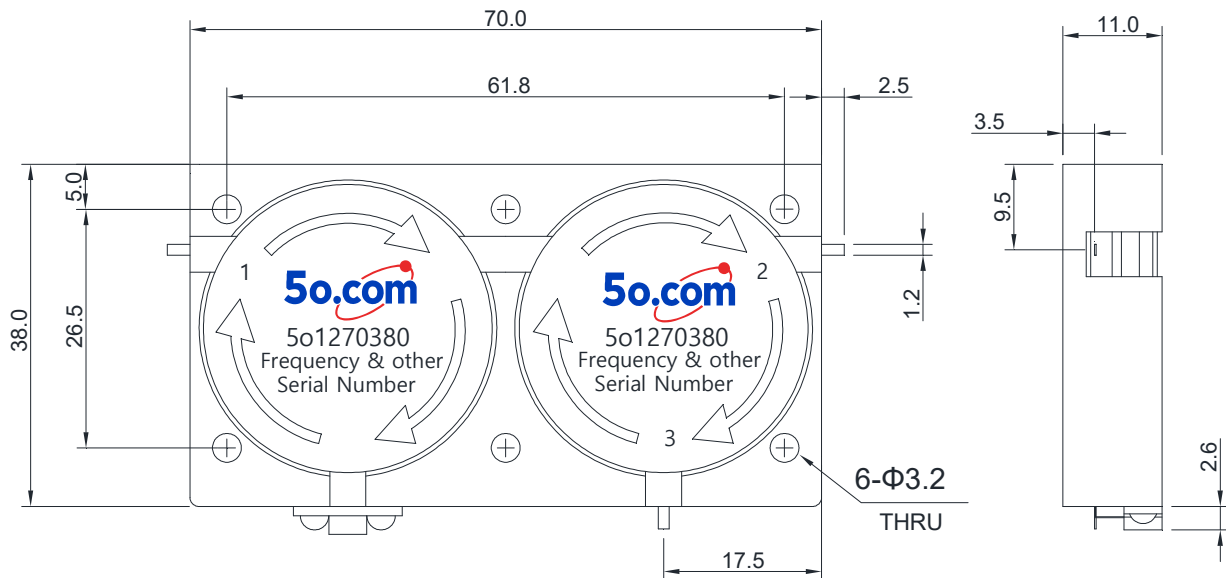
### RF Characteristics

Part Number	Frequency Range (MHz)	Isolation Min(dB)	VSWR Max	Insertion Loss Max(dB)	Connector Type	Temp.(°C)
5o1270380220240	220 ~ 240	36	1.3	1.3	TAB	-20 ~ +65
5o1270380240260	240 ~ 260	36	1.3	1	TAB	-20 ~ +65
5o1270380260280	260 ~ 280	40	1.25	1	TAB	-20 ~ +65
5o1270380309339	309 ~ 339	40	1.25	0.8	TAB	-20 ~ +65
5o1270380350370	350 ~ 370	42	1.2	0.7	TAB	-20 ~ +65
5o1270380380460	380 ~ 460	36	1.3	1	TAB	-20 ~ +65
5o1270380390410	390 ~ 410	46	1.2	0.6	TAB	-30 ~ +70
5o1270380400470	400 ~ 470	40	1.25	0.8	TAB	-30 ~ +70
5o1270380413419	413 ~ 419	60	1.15	0.6	TAB	-30 ~ +70
5o1270380413419	413 ~ 419	60	1.15	0.6	TAB	-30 ~ +70
5o1270380419425	419 ~ 425	60	1.15	0.6	TAB	-30 ~ +70
5o1270380450520	450 ~ 520	40	1.25	0.8	TAB	-20 ~ +65
5o1270380600800	600 ~ 800	38	1.25	1	TAB	-20 ~ +65
5o1270380700900	700 ~ 900	40	1.25	0.8	TAB	-30 ~ +70
5o12703807001000	700 ~ 1000	32	1.4	1.2	TAB	-20 ~ +65
5o1270380770860	770 ~ 860	46	1.2	0.6	TAB	-30 ~ +70
5o1270380860872	860 ~ 872	60	1.15	0.5	TAB	-20 ~ +65
5o1270380900930	900 ~ 930	60	1.15	0.4	TAB	-40 ~ +85
5o127038010001300	1000 ~ 1300	40	1.25	0.8	TAB	-30 ~ +70
5o127038010001700	1000 ~ 1700	30	1.45	1	TAB	-30 ~ +70
5o127038012961298	1296 ~ 1298	50	1.15	0.6	TAB	-40 ~ +85

## Basic Specifications

Dimension	70*38*11mm	Impedance	50Ω
Forward Power	300W	Connector Type	TAB
Reverse Power	300W	Storage Temperature	-55~+125°C

## Overall Dimension(mm)



## Instructions

Tolerances: ±2% unless otherwise stated.

- ◆ It can be dual junction or multiple for high isolation.
- ◆ Installing the embedded isolator/circulator, please use stainless steel or brass screws.
- ◆ Only some common frequencies in the table can be produced according to the user's requirements.
- ◆ It supports a one-year standard warranty.