

## 3 Port Dual Junction Drop in Circulator 200 to 3600MHz

### Application

- ▶ RF power amplifier protection.
- ▶ Digital, Satellite, Mobile Communication.
- ▶ Medical, Communication, Security.
- ▶ Military, Space and Commercial applications.

### RF Characteristics

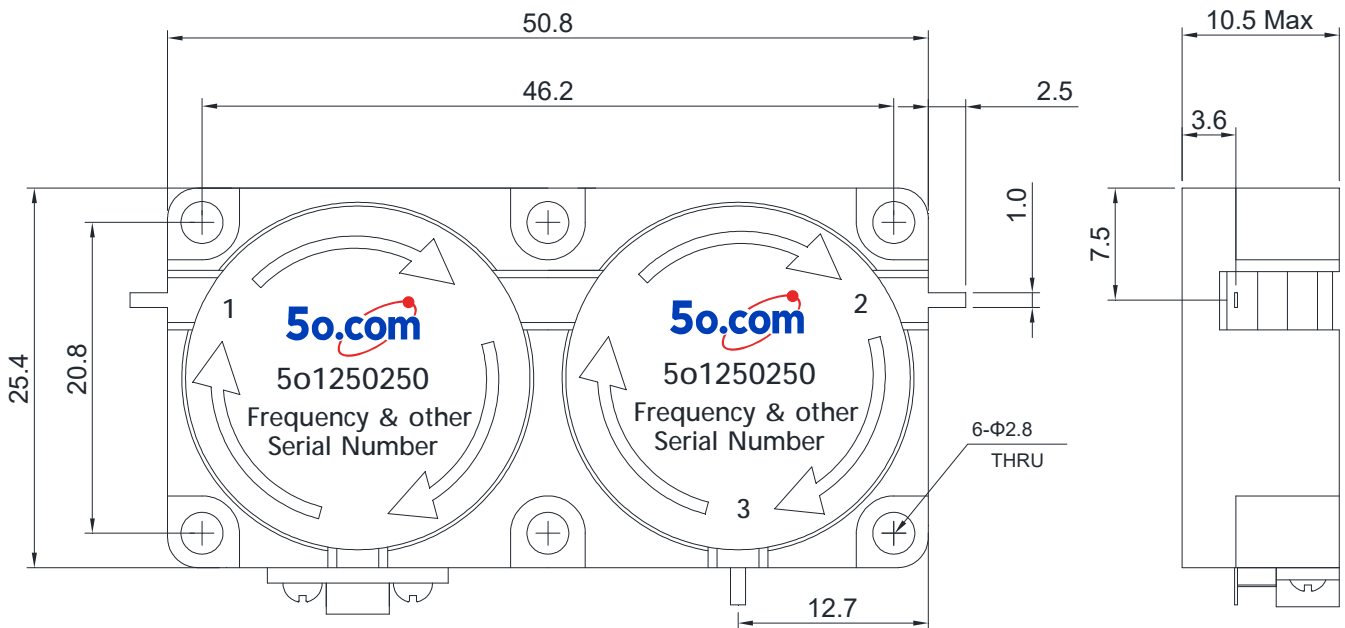
Part Number	Frequency Range (MHz)	Isolation (2-1) Min(dB)	VSWR Max	Insertion Loss (1-2) Max(dB)	Connector Type	Temp.(°C)
5o1250250210220	210 ~ 220	36	1.3	1.2	TAB	-40 ~ +85
5o1250250220230	220 ~ 230	36	1.3	1	TAB	-40 ~ +85
5o1250250250270	250 ~ 270	36	1.3	1	TAB	-40 ~ +85
5o1250250300320	300 ~ 320	40	1.25	1	TAB	-40 ~ +85
5o1250250350370	350 ~ 370	40	1.25	0.8	TAB	-40 ~ +85
5o1250250380460	380 ~ 460	34	1.35	1	TAB	-40 ~ +85
5o1250250400470	400 ~ 470	18	1.3	0.5	TAB	-40 ~ +85
5o1250250410425	410 ~ 425	46	1.15	0.6	TAB	-40 ~ +85
5o1250250430470	430 ~ 470	40	1.25	0.8	TAB	-40 ~ +85
5o1250250450520	450 ~ 520	40	1.25	1	TAB	-40 ~ +85
5o1250250490510	490 ~ 510	46	1.15	0.5	TAB	-40 ~ +85
5o1250250600700	600 ~ 700	40	1.2	0.6	TAB	-40 ~ +85
5o1250250700803	700 ~ 803	46	1.2	0.6	TAB	-40 ~ +85
5o12502508001000	800 ~ 1000	36	1.3	1	TAB	-40 ~ +85
5o1250250860960	860 ~ 960	40	1.25	0.6	TAB	-40 ~ +85
5o1250250869894	869 ~ 894	50	1.15	0.4	TAB	-40 ~ +85
5o1250250925960	925 ~ 960	50	1.15	0.4	TAB	-40 ~ +85
5o12502509501250	950 ~ 1250	36	1.3	1	TAB	-40 ~ +85
5o125025012001400	1200 ~ 1400	46	1.2	0.6	TAB	-40 ~ +85
5o125025015001700	1500 ~ 1700	46	1.2	0.6	TAB	-40 ~ +85
5o125025017102170	1710 ~ 2170	40	1.25	0.8	TAB	-40 ~ +85
5o125025018051880	1805 ~ 1880	50	1.15	0.4	TAB	-40 ~ +85
5o125025019201990	1920 ~ 1990	50	1.15	0.4	TAB	-40 ~ +85
5o125025020002500	2000 ~ 2500	40	1.25	1	TAB	-40 ~ +85
5o125025023002500	2300 ~ 2500	46	1.15	0.5	TAB	-40 ~ +85
5o125025023002700	2300 ~ 2700	46	1.2	0.6	TAB	-40 ~ +85

5o125025024002600	2400 ~ 2600	46	1.15	0.5	TAB	-40 ~ +85
5o125025024962690	2496 ~ 2690	46	1.15	0.5	TAB	-40 ~ +85
5o125025025002700	2500 ~ 2700	46	1.15	0.5	TAB	-40 ~ +85
5o125025027003100	2700 ~ 3100	46	1.15	0.5	TAB	-40 ~ +85
5o125025030003600	3000 ~ 3600	40	1.25	0.6	TAB	-40 ~ +85

## Basic Specifications

Dimension	50.8*25.4*10.5mm	Impedance	50Ω
Forward Power	200W	Connector Type	TAB
Reverse Power	200W	Storage Temperature	-55~+125°C

## Overall Dimension(mm)



## Instructions

Tolerances:  $\pm 2\%$  unless otherwise stated.

- ◆ It can be dual junction or multiple for high isolation.
- ◆ Installing the embedded isolator/circulator, please use stainless steel or brass screws.
- ◆ Only some common frequencies in the table can be produced according to the user's requirements.
- ◆ It supports a one-year standard warranty.