

4 Port Dual Junction Drop in Circulator 0.6 ~ 5.0GHz

Application

- ▶ RF power amplifier protection.
- ▶ Digital, Satellite, Mobile Communication.
- ▶ Medical, Communication, Security.
- ▶ Military, Space and Commercial applications.

RF Characteristics

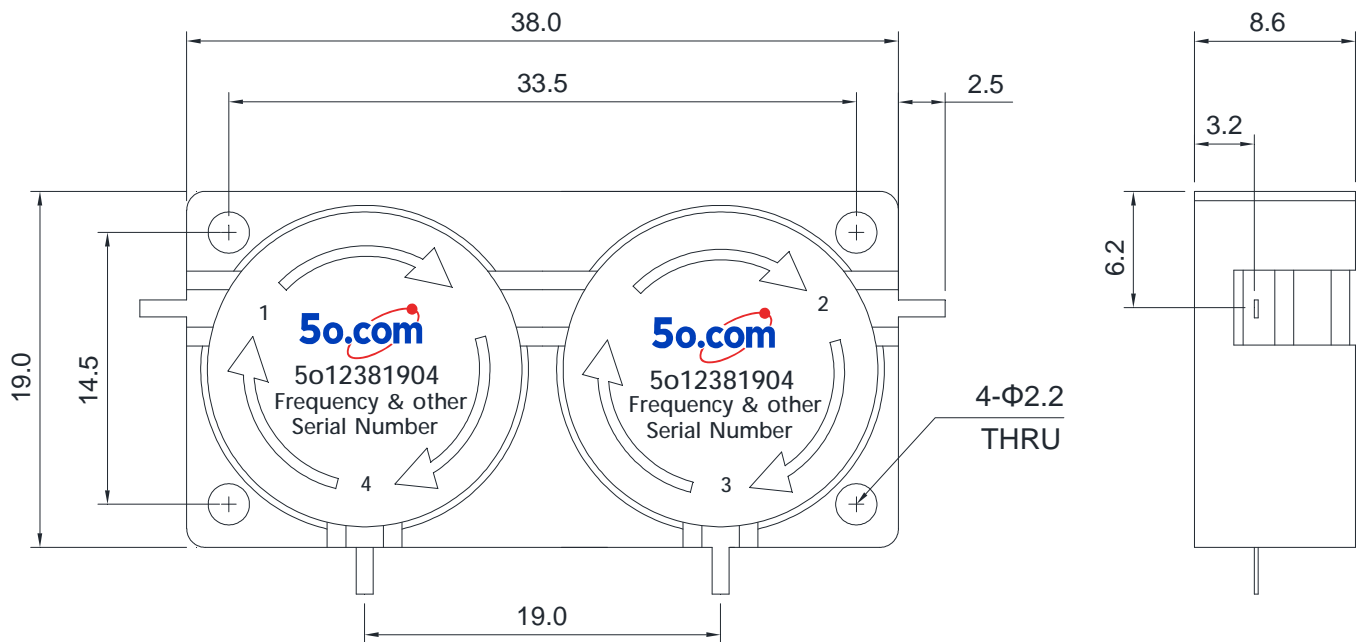
Part Number	Frequency Range (MHz)	Isolation (2-1 & 4-3) Min(dB)	VSWR Max	Insertion Loss (1-2 & 3-4) Max(dB)	Connector Type	Temp.(°C)
5o12381904617698	617 ~ 698	40	1.25	0.8	TAB	-40 ~ +85
5o12381904703803	703 ~ 803	36	1.3	1.0	TAB	-40 ~ +85
5o12381904824894	824 ~ 894	40	1.25	0.8	TAB	-40 ~ +85
5o12381904860960	860 ~ 960	40	1.25	0.8	TAB	-40 ~ +85
5o12381904925960	925 ~ 960	46	1.2	0.6	TAB	-40 ~ +85
5o1238190410701210	1070 ~ 1210	40	1.25	0.8	TAB	-40 ~ +85
5o1238190412001400	1200 ~ 1400	44	1.2	0.6	TAB	-40 ~ +85
5o1238190412501450	1250 ~ 1450	46	1.2	0.5	TAB	-40 ~ +85
5o1238190414501550	1450 ~ 1550	46	1.2	0.6	TAB	-40 ~ +85
5o1238190415001700	1500 ~ 1700	46	1.2	0.6	TAB	-40 ~ +85
5o1238190417102170	1710 ~ 2170	32	1.4	1.2	TAB	-40 ~ +85
5o1238190418051880	1805 ~ 1880	50	1.15	0.5	TAB	-40 ~ +85
5o1238190419201990	1920 ~ 1990	50	1.15	0.5	TAB	-40 ~ +85
5o1238190420002400	2000 ~ 2400	40	1.25	0.8	TAB	-40 ~ +85
5o1238190421102170	2110 ~ 2170	50	1.15	0.5	TAB	-40 ~ +85
5o1238190423002500	2300 ~ 2500	46	1.2	0.6	TAB	-40 ~ +85
5o1238190424002600	2400 ~ 2600	46	1.2	0.6	TAB	-40 ~ +85
5o1238190424962690	2496 ~ 2690	46	1.2	0.6	TAB	-40 ~ +85
5o1238190425002700	2500 ~ 2700	46	1.2	0.6	TAB	-40 ~ +85
5o1238190427003100	2700 ~ 3100	46	1.2	0.6	TAB	-40 ~ +85
5o1238190427003500	2700 ~ 3500	36	1.3	1.0	TAB	-40 ~ +85
5o1238190431503250	3150 ~ 3250	50	1.15	0.5	TAB	-40 ~ +85
5o1238190433003600	3300 ~ 3600	46	1.2	0.6	TAB	-40 ~ +85
5o1238190435004500	3500 ~ 4500	36	1.3	1.0	TAB	-40 ~ +85
5o1238190436003800	3600 ~ 3800	46	1.2	0.6	TAB	-40 ~ +85
5o1238190439004200	3900 ~ 4200	46	1.2	0.6	TAB	-40 ~ +85

5o1238190439004500	3900 ~ 4500	40	1.25	0.8	TAB	-40 ~ +85
5o1238190444004500	4000 ~ 4500	40	1.2	0.7	TAB	-40 ~ +85
5o1238190442004700	4200 ~ 4700	40	1.25	0.7	TAB	-40 ~ +85
5o1238190444005000	4400 ~ 5000	40	1.25	0.8	TAB	-40 ~ +85

Basic Specifications

Dimension	38*19*8.6mm	Impedance	50Ω
Forward Power	60W	Connector Type	TAB
Reverse Power	60W	Storage Temperature	-55~+125°C

Overall Dimension(mm)



Instructions

Tolerances: $\pm 2\%$ unless otherwise stated.

- ◆ It can be dual junction or multiple for high isolation.
- ◆ Installing the embedded isolator/circulator, please use stainless steel or brass screws.
- ◆ Only some common frequencies in the table can be produced according to the user's requirements.
- ◆ It supports a one-year standard warranty.