

Dual Junction Drop in Circulator 0.6 to 5.0GHz

Application

- ▶ RF power amplifier protection.
- ▶ Digital, Satellite, Mobile Communication.
- ▶ Medical, Communication, Security.
- ▶ Military, Space and Commercial applications.

RF Characteristics

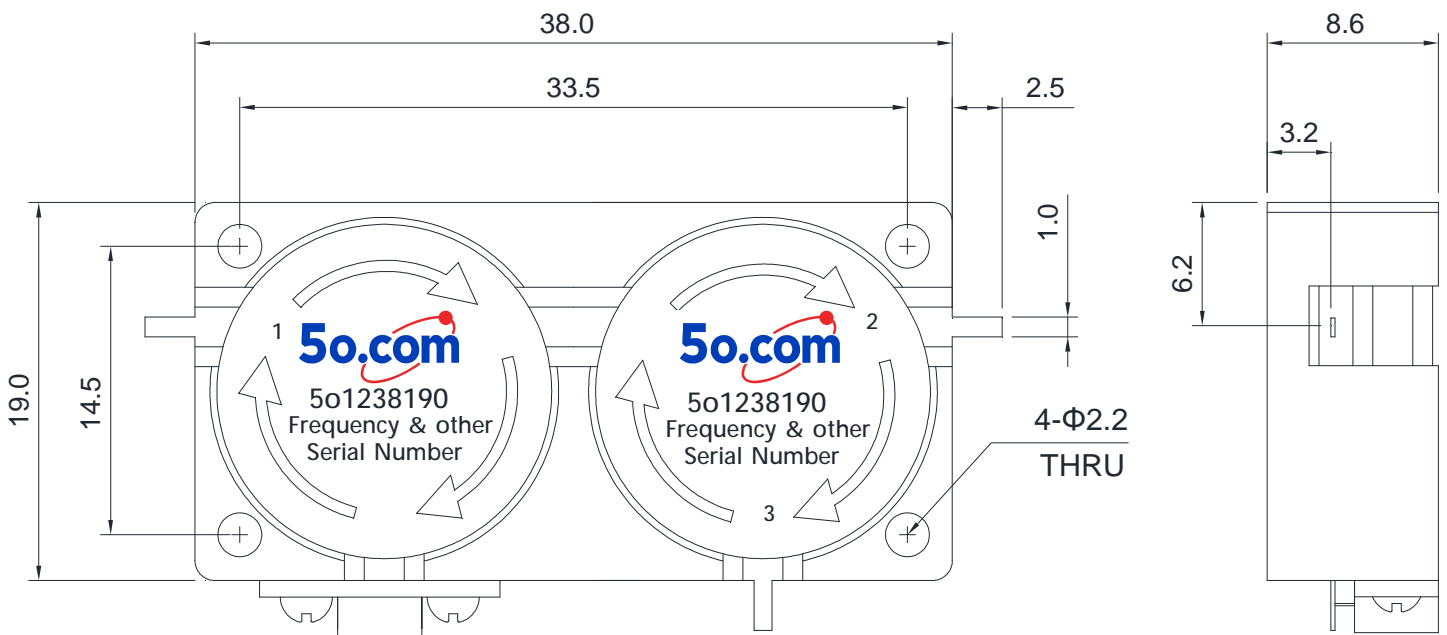
Part Number	Frequency Range (MHz)	Isolation (2-1) Min(dB)	VSWR Max	Insertion Loss (1-2) Max(dB)	Connector Type	Temp.(°C)
5o1238190617T698	617 ~ 698	40	1.25	0.8	TAB	-40 ~ +85
5o1238190703T803	703 ~ 803	36	1.3	1.0	TAB	-40 ~ +85
5o1238190824T894	824 ~ 894	40	1.25	0.8	TAB	-40 ~ +85
5o1238190860T960	860 ~ 960	40	1.25	0.8	TAB	-40 ~ +85
5o1238190925T960	925 ~ 960	46	1.2	0.6	TAB	-40 ~ +85
5o12381901070T1210	1070 ~ 1210	40	1.25	0.8	TAB	-40 ~ +85
5o12381901200T1400	1200 ~ 1400	44	1.2	0.6	TAB	-40 ~ +85
5o12381901250T1450	1250 ~ 1450	46	1.2	0.5	TAB	-40 ~ +85
5o12381901450T1550	1450 ~ 1550	46	1.2	0.6	TAB	-40 ~ +85
5o12381901500T1700	1500 ~ 1700	46	1.2	0.6	TAB	-40 ~ +85
5o12381901710T2170	1710 ~ 2170	32	1.4	1.2	TAB	-40 ~ +85
5o12381901805T1880	1805 ~ 1880	50	1.15	0.5	TAB	-40 ~ +85
5o12381901920T1990	1920 ~ 1990	50	1.15	0.5	TAB	-40 ~ +85
5o12381902000T2400	2000 ~ 2400	40	1.25	0.8	TAB	-40 ~ +85
5o12381902110T2170	2110 ~ 2170	50	1.15	0.5	TAB	-40 ~ +85
5o12381902300T2500	2300 ~ 2500	46	1.2	0.6	TAB	-40 ~ +85
5o12381902400T2600	2400 ~ 2600	46	1.2	0.6	TAB	-40 ~ +85
5o12381902496T2690	2496 ~ 2690	46	1.2	0.6	TAB	-40 ~ +85
5o12381902500T2700	2500 ~ 2700	46	1.2	0.6	TAB	-40 ~ +85
5o12381902700T3100	2700 ~ 3100	46	1.2	0.6	TAB	-40 ~ +85
5o12381902700T3500	2700 ~ 3500	36	1.3	1.0	TAB	-40 ~ +85
5o12381903150T3250	3150 ~ 3250	50	1.15	0.5	TAB	-40 ~ +85
5o12381903300T3600	3300 ~ 3600	46	1.2	0.6	TAB	-40 ~ +85
5o12381903500T4500	3500 ~ 4500	36	1.3	1.0	TAB	-40 ~ +85
5o12381903600T3800	3600 ~ 3800	46	1.2	0.6	TAB	-40 ~ +85
5o12381903900T4200	3900 ~ 4200	46	1.2	0.6	TAB	-40 ~ +85

5o12381903900T4500	3900 ~ 4500	40	1.25	0.8	TAB	-40 ~ +85
5o12381904400T4500	4000 ~ 4500	40	1.2	0.7	TAB	-40 ~ +85
5o12381904200T4700	4200 ~ 4700	40	1.25	0.7	TAB	-40 ~ +85
5o12381904400T5000	4400 ~ 5000	40	1.25	0.8	TAB	-40 ~ +85

Basic Specifications

Dimension	38*19*8.6mm	Impedance	50Ω
Forward Power	60W	Connector Type	TAB
Reverse Power	60W	Storage Temperature	-55~+125°C

Overall Dimension(mm)



Instructions

Tolerances: ±2% unless otherwise stated.

- ◆ It can be dual junction or multiple for high isolation.
- ◆ Installing the embedded isolator/circulator, please use stainless steel or brass screws.
- ◆ Only some common frequencies in the table can be produced according to the user's requirements.
- ◆ It supports a one-year standard warranty.