

Dual Junction Drop in Circulator 4.0 ~ 7.0GHz

Application

- ▶ RF power amplifier protection.
- ▶ Digital, Satellite, Mobile Communication.
- ▶ Medical, Communication, Security.
- ▶ Military, Space and Commercial applications.

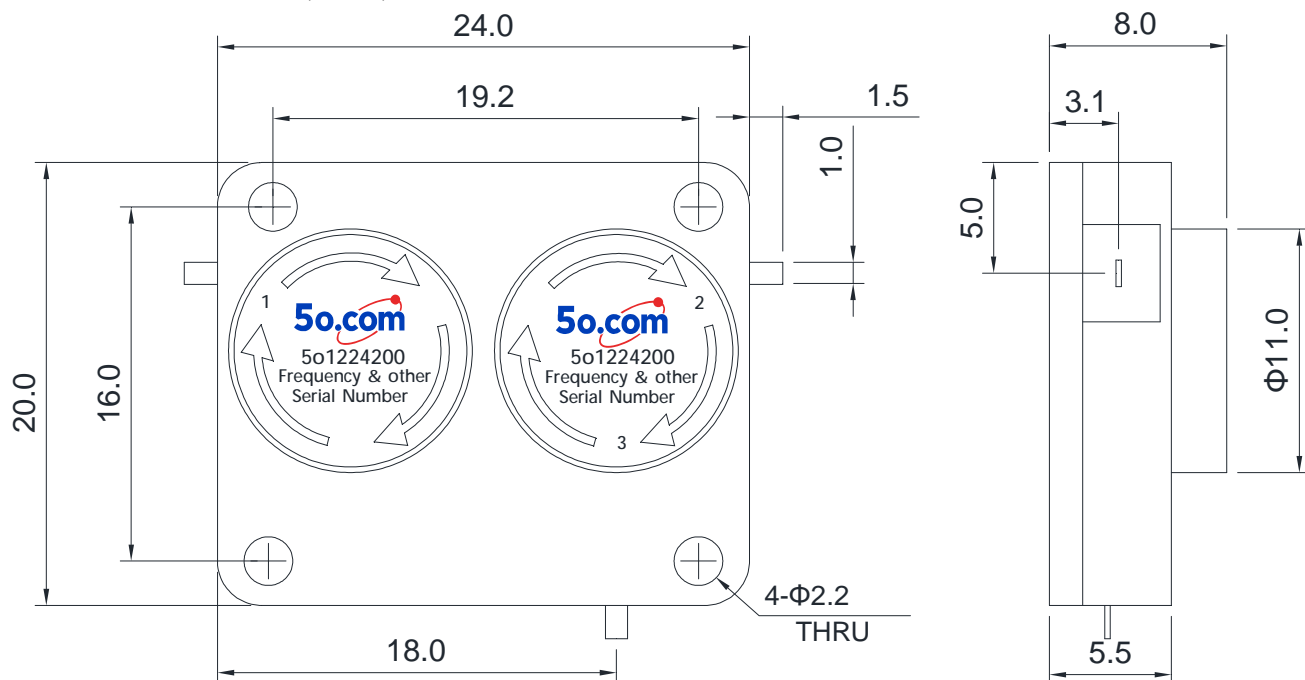
RF Characteristics

Part Number	Frequency Range (GHz)	Isolation (2-1) Min(dB)	VSWR Max	Insertion Loss (1-2) Max(dB)	Connector Type	Temp.(°C)
5o1224200455	4.5 ~ 5.0	40	1.25	0.8	TAB	-40 ~ +85
5o12242004752	4.7 ~ 5.2	40	1.25	0.8	TAB	-40 ~ +85
5o1224200558	5.0 ~ 5.8	40	1.25	0.8	TAB	-40 ~ +85
5o122420056	5.0 ~ 6.0	36	1.3	1	TAB	-40 ~ +85
5o12242005259	5.2 ~ 5.9	40	1.2	0.8	TAB	-40 ~ +85
5o12242005459	5.4 ~ 5.9	45	1.2	0.8	TAB	-40 ~ +85
5o1224200556	5.6 ~ 6.0	45	1.2	0.6	TAB	-40 ~ +85
5o12242005759	5.7 ~ 5.9	45	1.2	0.6	TAB	-40 ~ +85
5o12242005765	5.7 ~ 6.5	40	1.25	1	TAB	-40 ~ +85
5o122420067	6.0 ~ 7.0	45	1.2	0.7	TAB	-40 ~ +85
5o1224200635655	6.35 ~ 6.55	45	1.2	0.6	TAB	-40 ~ +85

Basic Specifications

Dimension	24*20*8mm
Forward Power	60W
Reverse Power	60W
Connector Type	TAB
Storage Temperature	-55°C~+125°C
Impedance	50Ω

Overall Dimension(mm)



Instructions

Tolerances: $\pm 2\%$ unless otherwise stated.

- ◆ It can be dual junction or multiple for high isolation.
- ◆ Installing the embedded isolator/circulator, please use stainless steel or brass screws.
- ◆ Only some common frequencies in the table can be produced according to the user's requirements.
- ◆ It supports a one-year standard warranty.