

# Dual Junction Drop in Circulator 8.0 ~ 12.0GHz

## Application

- ▶ RF power amplifier protection.
- ▶ Digital, Satellite, Mobile Communication.
- ▶ Medical, Communication, Security.
- ▶ Military, Space and Commercial applications.

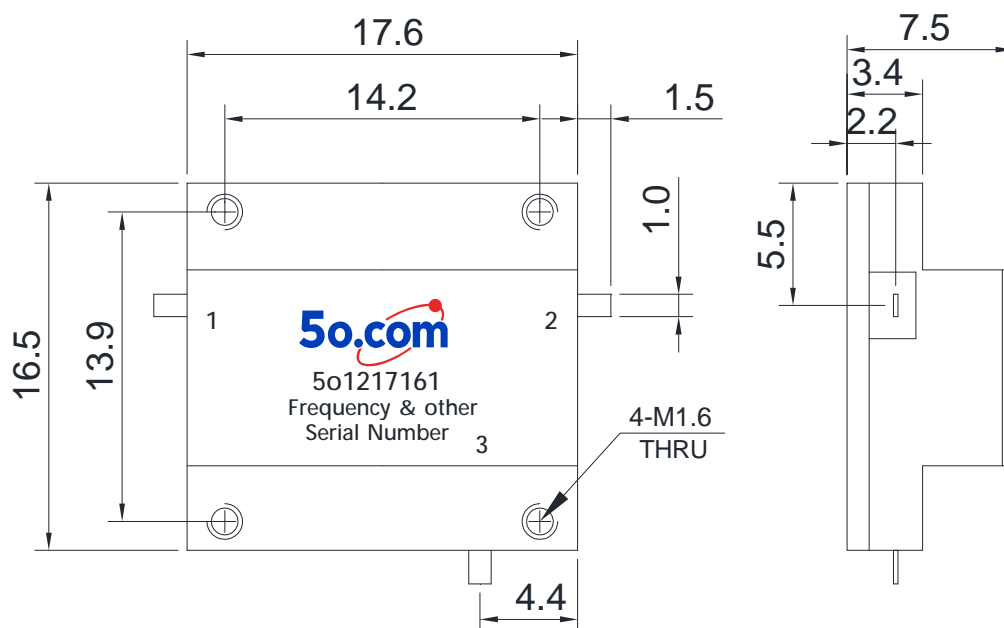
## RF Characteristics

Part Number	Frequency Range (GHz)	Isolation (2-1) Min(dB)	VSWR Max	Insertion Loss (1-2) Max(dB)	Connector Type	Temp.(°C)
5o1217161812	8.0 ~ 12.0	36	1.3	1.0	TAB	-55 ~ +85

## Basic Specifications

Dimension	17.6*16.5*7.5mm	Impedance	50Ω
Forward Power	30W	Connector Type	TAB
Reverse Power	30W	Storage Temperature	-55~+125°C

## Overall Dimension(mm)



## Instructions

Tolerances:  $\pm 2\%$  unless otherwise stated.

- ◆ It can be dual junction or multiple for high isolation.
- ◆ Installing the embedded isolator/circulator, please use stainless steel or brass screws.
- ◆ Only some common frequencies in the table can be produced according to the user's requirements.
- ◆ It supports a one-year standard warranty.