

Dual Junction Drop in Circulator 10 ~ 55MHz

Application

- ▶ RF power amplifier protection.
- ▶ Digital, Satellite, Mobile Communication.
- ▶ Medical, Communication, Security.
- ▶ Military, Space and Commercial applications.

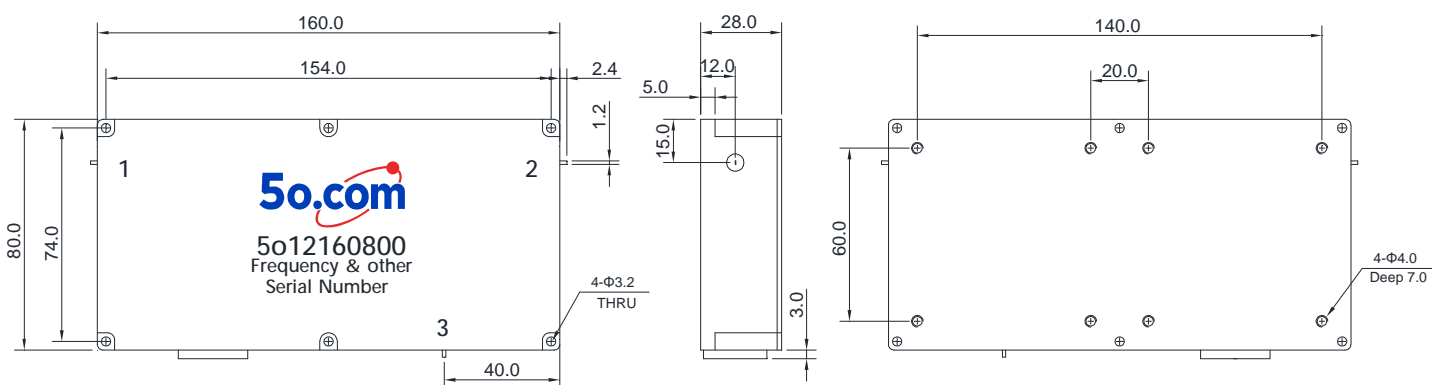
RF Characteristics

Part Number	Frequency Range (MHz)	Isolation (2-1) Min(dB)	VSWR Max	Insertion Loss (1-2) Max(dB)	Connector Type	Temp.(°C)
5o121608002530	25 ~ 30	24	1.45	7	TAB	+10 ~ +60
5o121608002628	26 ~ 28	30	1.45	6	TAB	+10 ~ +60
5o12160800285305	28.5 ~ 30.5	32	1.4	5.6	TAB	+10 ~ +60
5o121608003032	30 ~ 32	32	1.4	3.6	TAB	+10 ~ +60
5o121608003035	30 ~ 35	32	1.4	6	TAB	+10 ~ +60
5o121608003545	35 ~ 45	40	1.4	5	TAB	+10 ~ +60
5o121608004450	44 ~ 50	40	1.25	2.4	TAB	25±5
		34	1.35	3		+20 ~ +60

Basic Specifications

Dimension	160*80*28mm	Impedance	50Ω
Forward Power	50W	Connector Type	TAB
Reverse Power	50W	Storage Temperature	-55~+125°C

Overall Dimension(mm)



Instructions

Tolerances: ±2% unless otherwise stated.

- ◆ It can be dual junction or multiple for high isolation.
- ◆ Installing the embedded isolator/circulator, please use stainless steel or brass screws.
- ◆ Only some common frequencies in the table can be produced according to the user's requirements.
- ◆ It supports a one-year standard warranty.