

3 Port Dual Junction Drop in Circulator 130 ~ 900MHz

Application

- ▶ RF power amplifier protection.
- ▶ Digital, Satellite, Mobile Communication.
- ▶ Medical, Communication, Security.
- ▶ Military, Space and Commercial applications.

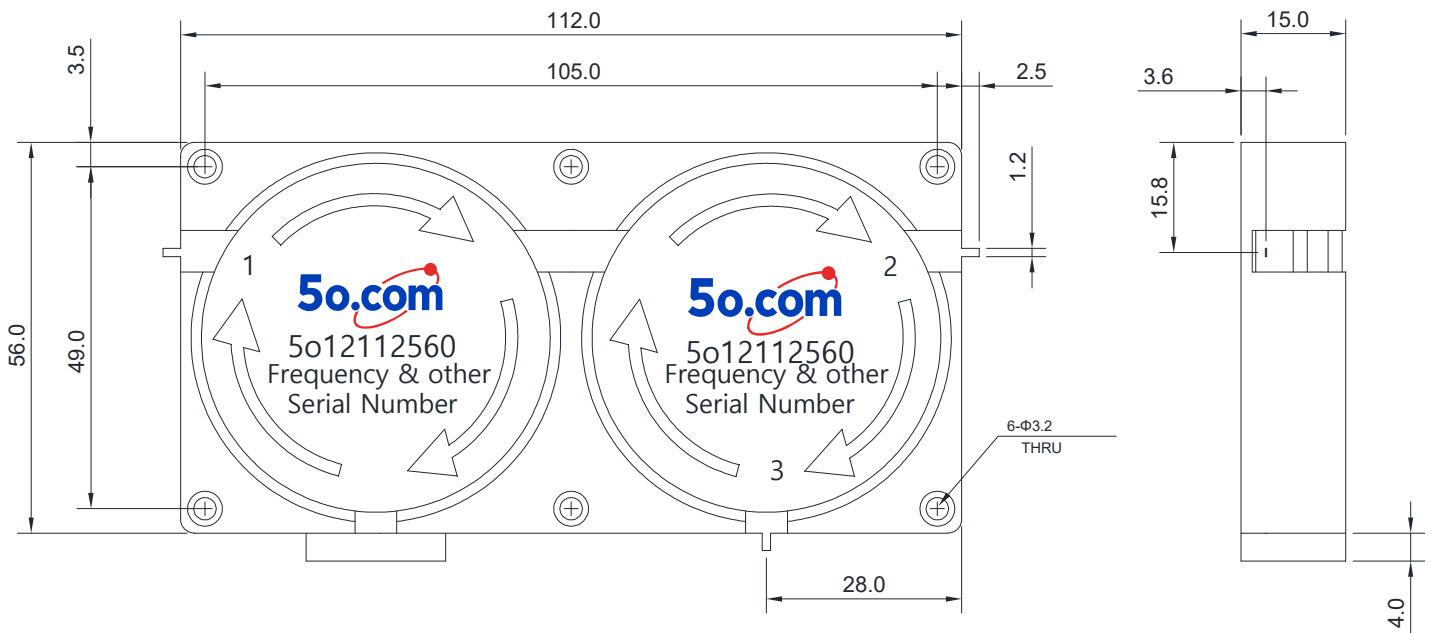
RF Characteristics

Part Number	Frequency Range (MHz)	Isolation Min(dB)	VSWR Max	Insertion Loss Max(dB)	Connector Type	Temp.(°C)
5o12112560145150	136 ~ 150	36	1.3	1	TAB	-10 ~ +60
5o12112560150155	150 ~ 155	40	1.25	1	TAB	-10 ~ +70
5o12112560150170	150 ~ 170	36	1.3	1.2	TAB	-10 ~ +70
5o12112560168171	168 ~ 171	46	1.2	0.8	TAB	-30 ~ +70
5o12112560170200	170 ~ 200	36	1.3	1.4	TAB	-30 ~ +70
5o12112560180220	180 ~ 220	36	1.3	1	TAB	-30 ~ +70
5o12112560192232	192 ~ 232	40	1.25	0.8	TAB	-30 ~ +70
5o1211256019752075	197.5 ~ 207.5	46	1.2	0.8	TAB	-30 ~ +70
5o12112560200250	200 ~ 250	40	1.25	1.2	TAB	-30 ~ +70
5o12112560230250	230 ~ 250	46	1.2	0.6	TAB	-30 ~ +70
5o12112560250300	250 ~ 300	40	1.25	0.8	TAB	-30 ~ +70
5o12112560500750	500 ~ 750	32	1.4	1	TAB	-30 ~ +70
5o12112560600900	600 ~ 900	34	1.35	1	TAB	-30 ~ +70

Basic Specifications

Size (mm)	112*56*15	Impedance	50Ω
Forward Power(W)	300W	Operating Temp	-30 ~ +70°C
Reverse Power(W)	300W	Storage temperature	-55~+125°C

Overall Dimension(mm)



Instructions

Tolerances: $\pm 2\%$ unless otherwise stated.

- ◆ It can be dual junction or multiple for high isolation.
- ◆ Installing the embedded isolator/circulator, please use stainless steel or brass screws.
- ◆ Only some common frequencies in the table can be produced according to the user's requirements.
- ◆ It supports a one-year standard warranty.