

Drop in Circulator 60 ~ 200MHz

Application

- ▶ RF power amplifier protection.
- ▶ Digital, Satellite, Mobile Communication.
- ▶ Medical, Communication, Security.
- ▶ Military, Space and Commercial applications.

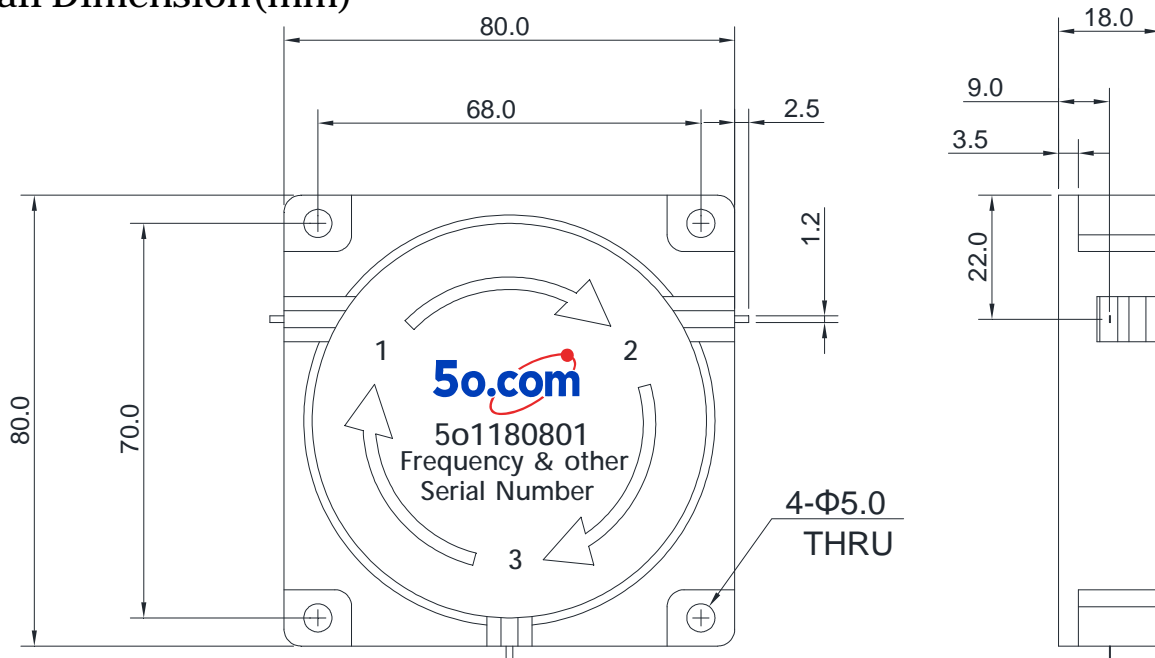
RF Characteristics

Part Number	Frequency Range (MHz)	Isolation Min(dB)	VSWR Max	Insertion Loss Max(dB)	Connector Type	Temp.(°C)
5o11808016265	62 ~ 65	16	1.4	1.5	TAB	0 ~ +70
5o11808017075	70 ~ 75	18	1.3	1.2	TAB	0 ~ +70
5o11808017580	75 ~ 80	18	1.3	0.9	TAB	0 ~ +70
5o11808018125	81.25	20	1.25	0.6	TAB	0 ~ +70
5o11808018090	80 ~ 90	18	1.3	0.8	TAB	0 ~ +70
5o11808018595	85 ~ 95	18	1.3	0.7	TAB	0 ~ +70
5o1180801108118	108 ~ 118	18	1.3	0.5	TAB	0 ~ +70
5o1180801118137	118 ~ 137	18	1.3	0.5	TAB	0 ~ +70
5o1180801130150	130 ~ 150	20	1.25	0.5	TAB	0 ~ +70
5o1180801148174	148 ~ 174	20	1.25	0.5	TAB	0 ~ +70
5o11808011625	162.5	25	1.15	0.2	TAB	0 ~ +70

Basic Specifications

Dimension	80*80*18mm	Impedance	50Ω
Forward Power	500W	Operating Temperature	0 ~ +70°C
Reverse Power	500W	Storage Temperature	-55~+125°C

Overall Dimension(mm)



Instructions

Tolerances: ±2% unless otherwise stated.

- ◆ It can be dual junction or multiple for high isolation.
- ◆ Installing the embedded isolator/circulator, please use stainless steel or brass screws.
- ◆ Only some common frequencies in the table can be produced according to the user's requirements.
- ◆ It supports a one-year standard warranty.