

## Drop in Circulator 130 ~ 900MHz

### Application

- ▶ RF power amplifier protection.
- ▶ Digital, Satellite, Mobile Communication.
- ▶ Medical, Communication, Security.
- ▶ Military, Space and Commercial applications.

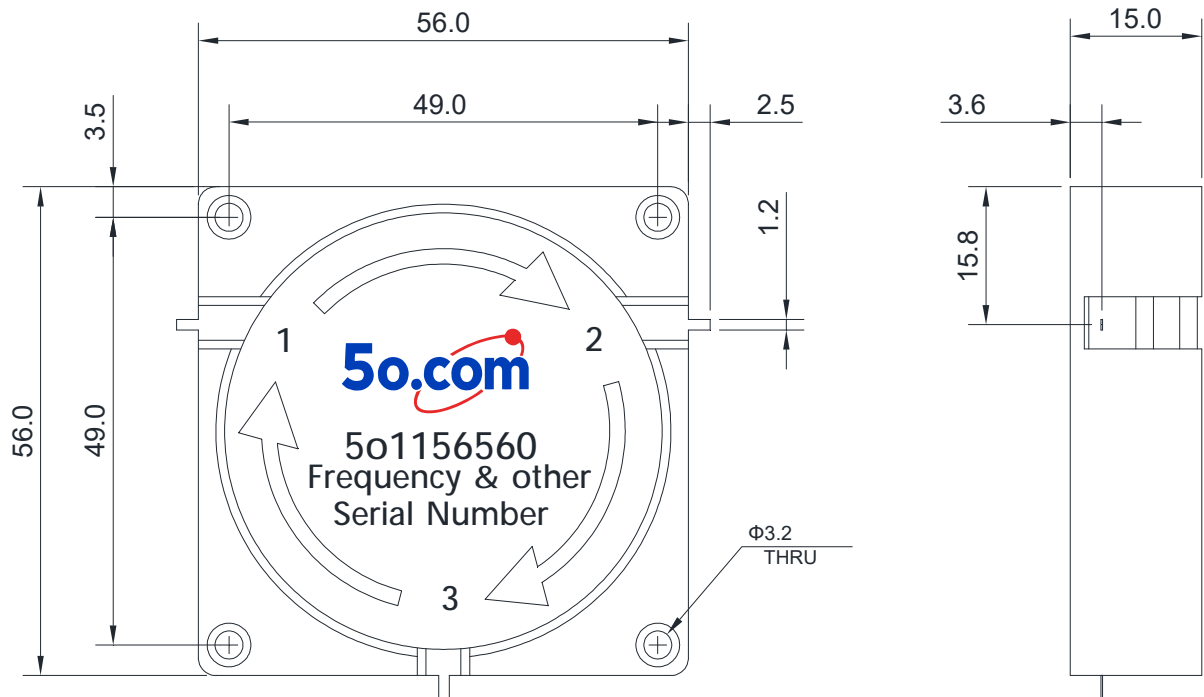
### RF Characteristics

Part Number	Frequency Range (MHz)	Isolation Min(dB)	VSWR Max	Insertion Loss Max(dB)	Connector Type	Temp.(°C)
5o1156560136150	136 ~ 150	18	1.3	0.5	TAB	-10 ~ +60
5o1156560150155	150 ~ 155	20	1.25	0.5	TAB	-10 ~ +70
5o1156560150170	150 ~ 170	18	1.3	0.6	TAB	-10 ~ +70
5o1156560168171	168 ~ 171	23	1.2	0.4	TAB	-30 ~ +70
5o1156560170200	170 ~ 200	18	1.3	0.7	TAB	-30 ~ +70
5o1156560180220	180 ~ 220	18	1.3	0.5	TAB	-30 ~ +70
5o1156560192232	192 ~ 232	20	1.25	0.4	TAB	-30 ~ +70
5o115656019752075	197.5 ~ 207.5	23	1.2	0.4	TAB	-30 ~ +70
5o1156560200250	200 ~ 250	20	1.25	0.6	TAB	-30 ~ +70
5o1156560230250	230 ~ 250	23	1.2	0.3	TAB	-30 ~ +70
5o1156560250300	250 ~ 300	20	1.25	0.4	TAB	-30 ~ +70
5o1156560400600	400 ~ 600	15	1.5	0.6	TAB	-30 ~ +70
5o1156560500750	500 ~ 750	16	1.4	0.5	TAB	-30 ~ +70
5o1156560600900	600 ~ 900	17	1.35	0.5	TAB	-30 ~ +70

## Basic Specifications

Dimension	56*56*15mm	Impedance	50Ω
Forward Power	300W	Operating Temperature	-30 ~ +70°C
Reverse Power	300W	Storage Temperature	-55~+125°C

## Overall Dimension(mm)



## Instructions

Tolerances:  $\pm 2\%$  unless otherwise stated.

- ◆ It can be dual junction or multiple for high isolation.
- ◆ Installing the embedded isolator/circulator, please use stainless steel or brass screws.
- ◆ Only some common frequencies in the table can be produced according to the user's requirements.
- ◆ It supports a one-year standard warranty.