

# 300W Drop in Circulator 4.0 ~ 8.0GHz

## Application

- ▶ RF power amplifier protection.
- ▶ Medical, Communication, Security.
- ▶ Digital, Satellite, Mobile Communication.
- ▶ Military, Space and Commercial applications.

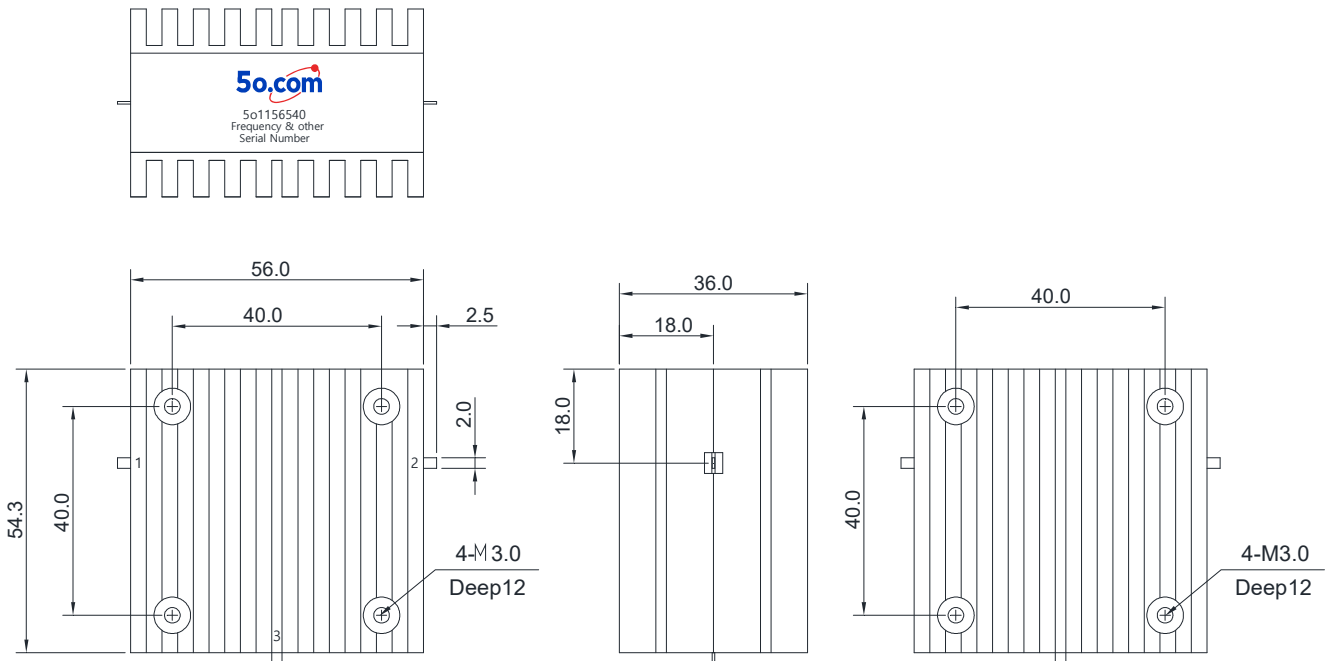
## RF Characteristics

Part Number	Frequency Range (GHz)	Isolation Min(dB)	VSWR Max	Insertion Loss Max(dB)	Connector Type
5o115654048	4.0 ~ 8.0	16	1.4	0.6	TAB

## Basic Specifications

Dimension	56*54.3*36mm	Impedance	50Ω
Forward Power	300W	Operating Temperature	-30 ~ +70°C
Reverse Power	300W	Storage Temperature	-55~+125°C

## Overall Dimension(mm)



## Instructions

Tolerances:  $\pm 2\%$  unless otherwise stated.

- ◆ It can be dual junction or multiple for high isolation.
- ◆ Installing the embedded isolator/circulator, please use stainless steel or brass screws.
- ◆ Only some common frequencies in the table can be produced according to the user's requirements.
- ◆ It supports a one-year standard warranty.