

500W Drop in Circulator 300 ~ 1500MHz

Application

- ▶RF power amplifier protection.
- ▶Digital, Satellite, Mobile Communication.
- ▶Medical, Communication, Security.
- ▶Military, Space and Commercial applications.

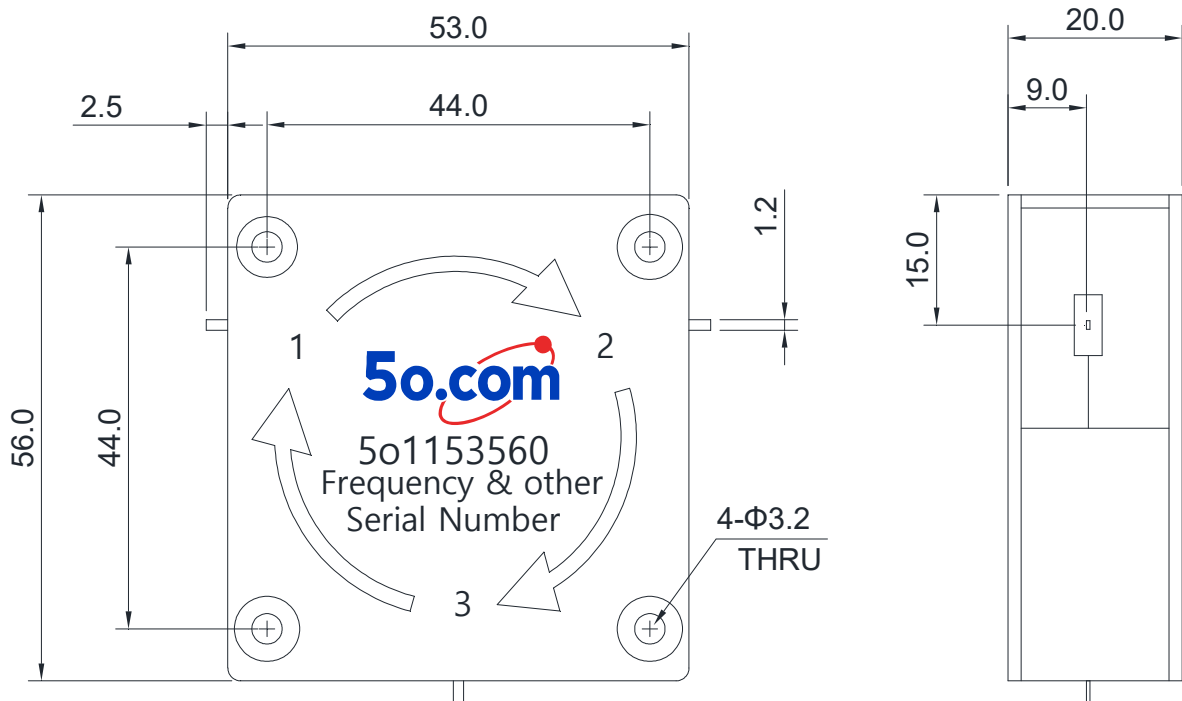
RF Characteristics

Part Number	Frequency Range (MHz)	Isolation Min(dB)	VSWR Max	Insertion Loss Max(dB)	Connector Type	Temp.(°C)
5o1153560300350	300 ~ 350	20	1.25	0.5	TAB	-30 ~ +70
5o1153560350400	350 ~ 400	20	1.25	0.5	TAB	-30 ~ +70
5o1153560400500	400 ~ 500	20	1.25	0.4	TAB	-30 ~ +70
5o1153560450500	450 ~ 512	23	1.2	0.3	TAB	-30 ~ +70
5o1153560500590	500 ~ 590	23	1.2	0.3	TAB	-40 ~ +85
5o1153560590710	590 ~ 710	20	1.25	0.4	TAB	-40 ~ +85
5o1153560700900	700 ~ 900	23	1.2	0.3	TAB	-40 ~ +85
5o11535608001000	800 ~ 1000	23	1.2	0.25	TAB	-40 ~ +85
5o11535609001200	900 ~ 1200	23	1.2	0.3	TAB	0 ~ +65
5o11535609601215	960 ~ 1215	23	1.2	0.3	TAB	0 ~ +65
5o115356012001400	1200 ~ 1400	25	1.15	0.2	TAB	0 ~ +65

Basic Specifications

Dimension	53*56*20mm	Impedance	50Ω
Forward Power	500W	Operating Temperature	30 ~ +70°C
Reverse Power	500W	Storage Temperature	-55~+125°C

Overall Dimension(mm)



Instructions

Tolerances: ±2% unless otherwise stated.

- ◆ It can be dual junction or multiple for high isolation.
- ◆ Installing the embedded isolator/circulator, please use stainless steel or brass screws.
- ◆ Only some common frequencies in the table can be produced according to the user's requirements.
- ◆ It supports a one-year standard warranty.