

Drop in Circulator 1.0 ~ 3.8GHz

Application

- ▶ RF power amplifier protection.
- ▶ Digital, Satellite, Mobile Communication.
- ▶ Medical, Communication, Security.
- ▶ Military, Space and Commercial applications.

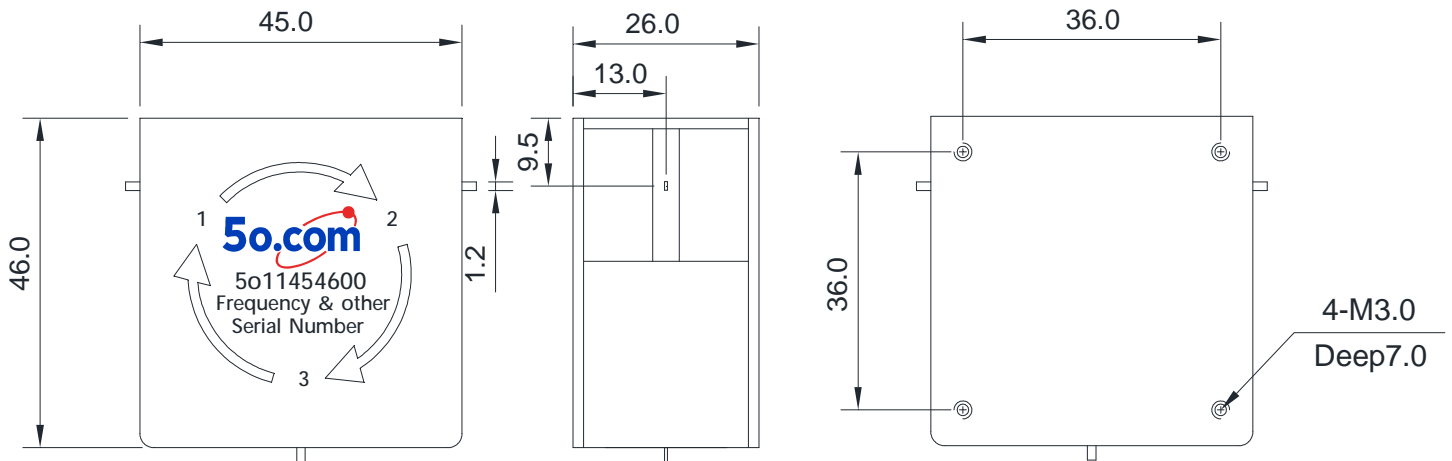
RF Characteristics

Part Number	Frequency Range (MHz)	Isolation Min(dB)	VSWR Max	Insertion Loss Max(dB)	Connector Type	Temp.(°C)
5o114546010001050	1000 ~ 1050	23	1.2	0.3	TAB	-40 ~ +85
5o114546010701210	1070 ~ 1210	20	1.25	0.4	TAB	-40 ~ +85
5o114546013501550	1350 ~ 1550	20	1.25	0.4	TAB	-40 ~ +85
5o114546015001700	1500 ~ 1700	20	1.25	0.4	TAB	-40 ~ +85
5o114546017101785	1710 ~ 1785	23	1.2	0.3	TAB	-40 ~ +85
5o114546017001900	1700 ~ 1900	23	1.25	0.4	TAB	-40 ~ +85
5o114546017002100	1700 ~ 2100	23	1.2	0.4	TAB	-40 ~ +85
5o114546018052170	1805 ~ 2170	20	1.25	0.4	TAB	-40 ~ +85
5o114546018051880	1805 ~ 1880	23	1.2	0.3	TAB	-40 ~ +85
5o114546019002200	1900 ~ 2200	23	1.25	0.4	TAB	-40 ~ +85
5o114546019201990	1920 ~ 1990	23	1.2	0.3	TAB	-40 ~ +85
5o114546020002300	2000 ~ 2300	20	1.25	0.4	TAB	-40 ~ +85
5o114546020002500	2000 ~ 2500	18	1.3	0.5	TAB	-20 ~ +80
5o114546021102170	2110 ~ 2170	23	1.2	0.3	TAB	-40 ~ +85
5o114546023002500	2300 ~ 2500	23	1.2	0.3	TAB	-40 ~ +85
5o114546023502550	2350 ~ 2550	23	1.2	0.3	TAB	-40 ~ +85
5o114546024002600	2400 ~ 2600	23	1.2	0.3	TAB	-40 ~ +85
5o114546025002700	2500 ~ 2700	23	1.2	0.3	TAB	-40 ~ +85
5o114546027003000	2700 ~ 3000	20	1.2	0.4	TAB	-40 ~ +85
5o114546027003100	2700 ~ 3100	18	1.3	0.5	TAB	-40 ~ +85
5o114546031003500	3100 ~ 3500	20	1.25	0.3	TAB	-40 ~ +85
5o114546034003800	3400 ~ 3800	20	1.25	0.4	TAB	-40 ~ +85

Basic Specifications

Dimension	45*46*26mm	Impedance	50Ω
Forward Power	600W	Operating Temperature	-40 ~ +85°C
Reverse Power	600W	Storage Temperature	-55~+125°C

Overall Dimension(mm)



Instructions

Tolerances: $\pm 2\%$ unless otherwise stated.

- ◆ It can be dual junction or multiple for high isolation.
- ◆ Installing the embedded isolator/circulator, please use stainless steel or brass screws.
- ◆ Only some common frequencies in the table can be produced according to the user's requirements.
- ◆ It supports a one-year standard warranty.