

Drop in Circulator 200 ~ 1300MHz

Application

- ▶ RF power amplifier protection.
- ▶ Digital, Satellite, Mobile Communication.
- ▶ Medical, Communication, Security.
- ▶ Military, Space and Commercial applications.

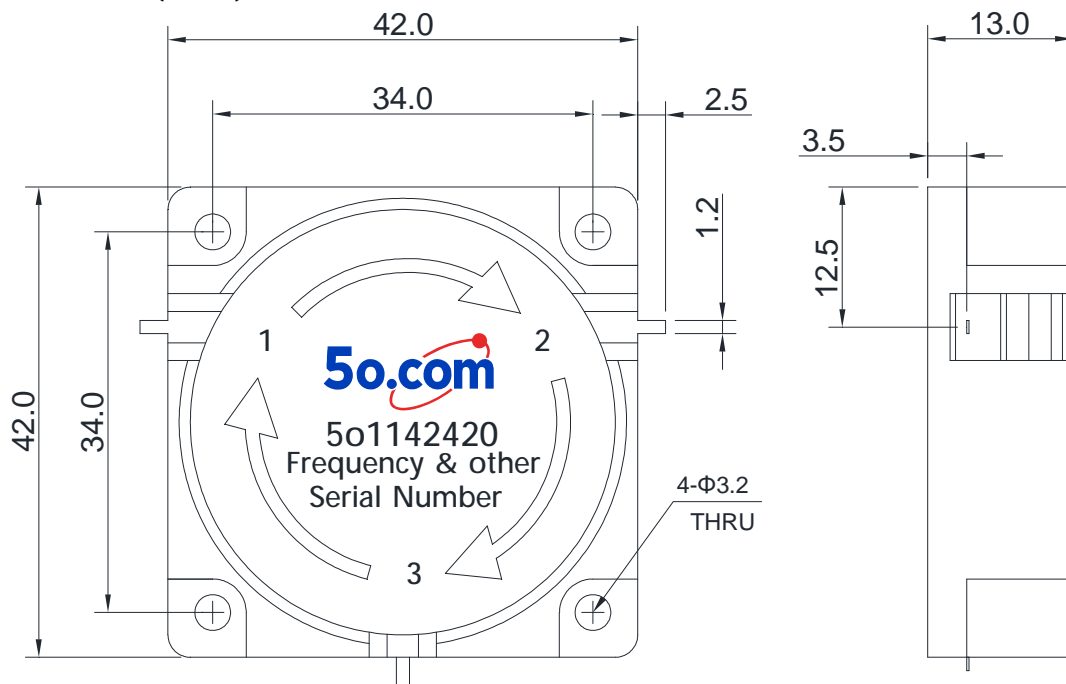
RF Characteristics

Part Number	Frequency Range (MHz)	Isolation Min(dB)	VSWR Max	Insertion Loss Max(dB)	Connector Type	Temp.(°C)
5o1142420200250	200 ~ 250	16	1.4	0.65	TAB	-30 ~ +70
5o1142420250260	250 ~ 260	23	1.2	0.3	TAB	-30 ~ +70
5o1142420250300	250 ~ 300	18	1.3	0.4	TAB	-30 ~ +70
5o1142420289359	289 ~ 359	20	1.25	0.5	TAB	-30 ~ +70
5o1142420300400	300 ~ 400	17	1.3	0.6	TAB	-20 ~ +60
5o1142420350450	350 ~ 450	20	1.25	0.5	TAB	-20 ~ +60
5o1142420350400	350 ~ 400	23	1.2	0.35	TAB	-30 ~ +70
5o1142420350500	350 ~ 500	16	1.4	0.6	TAB	-20 ~ +60
5o1142420380460	380 ~ 460	23	1.2	0.4	TAB	-20 ~ +60
5o1142420380500	380 ~ 500	20	1.25	0.5	TAB	-20 ~ +60
5o1142420400500	400 ~ 500	20	1.25	0.4	TAB	-30 ~ +70
5o1142420400512	400 ~ 512	20	1.25	0.5	TAB	-30 ~ +70
5o1142420400430	400 ~ 430	25	1.15	0.25	TAB	-30 ~ +70
5o1142420440470	440 ~ 470	25	1.15	0.25	TAB	-30 ~ +70
5o1142420500700	500 ~ 700	17	1.35	0.5	TAB	-30 ~ +70
5o11424207001000	700 ~ 1000	18	1.3	0.6	TAB	-30 ~ +70

Basic Specifications

Dimension	42*42*13mm	Impedance	50Ω
Forward Power	300W	Operating Temperature	-30 ~ +70°C
Reverse Power	300W	Storage Temperature	-55~+125°C

Overall Dimension(mm)



Instructions

Tolerances: ±2% unless otherwise stated.

- ◆ It can be dual junction or multiple for high isolation.
- ◆ Installing the embedded isolator/circulator, please use stainless steel or brass screws.
- ◆ Only some common frequencies in the table can be produced according to the user's requirements.
- ◆ It supports a one-year standard warranty.