

Drop in Circulator 700 ~ 3100MHz

Application

- ▶ RF power amplifier protection.
- ▶ Digital, Satellite, Mobile Communication.
- ▶ Medical, Communication, Security.
- ▶ Military, Space and Commercial applications.

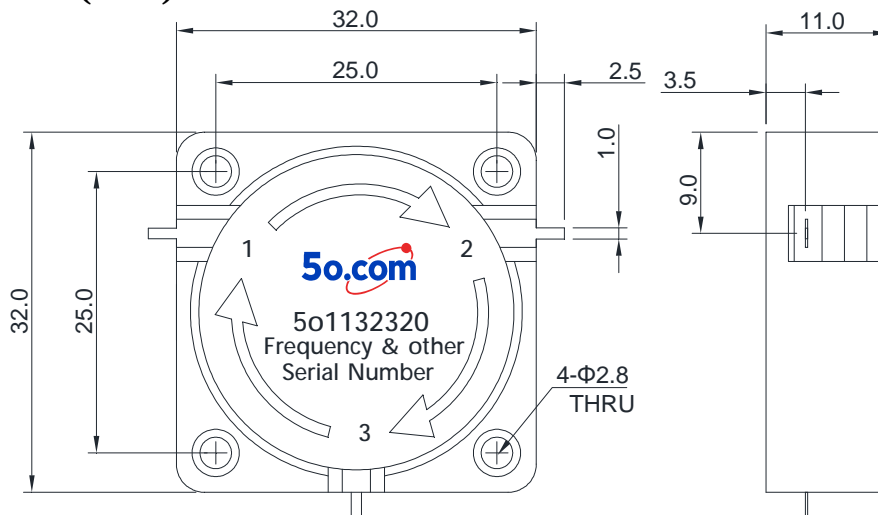
RF Characteristics

Part Number	Frequency Range (MHz)	Isolation Min(dB)	VSWR Max	Insertion Loss Max(dB)	Connector Type	Temp.(°C)
5o1132320700900	700 ~ 900	20	1.25	0.5	TAB	-30 ~ +70
5o1132320800900	800 ~ 900	20	1.25	0.4	TAB	-30 ~ +70
5o11323209601215	960 ~ 1215	20	1.25	0.4	TAB	-30 ~ +70
5o113232016002000	1600 ~ 2000	18	1.3	0.6	TAB	-20 ~ +65
5o113232018002200	1800 ~ 2200	18	1.3	0.5	TAB	-30 ~ +70
5o113232020002400	2000 ~ 2400	18	1.3	0.5	TAB	-40 ~ +70
5o113232024002500	2400 ~ 2500	23	1.15	0.2	TAB	-40 ~ +85

Basic Specifications

Dimension	32*32*11mm	Impedance	50Ω
Forward Power	200W	Operating Temperature	-40 ~ +85°C
Reverse Power	200W	Storage Temperature	-55~+125°C

Overall Dimension(mm)



Instructions

Tolerances: ±2% unless otherwise stated.

- ◆ It can be dual junction or multiple for high isolation.
- ◆ Installing the embedded isolator/circulator, please use stainless steel or brass screws.
- ◆ Only some common frequencies in the table can be produced according to the user's requirements.
- ◆ It supports a one-year standard warranty.