

Drop in Circulator 3.5 ~ 6.5GHz

Application

- ▶ RF power amplifier protection.
- ▶ Digital, Satellite, Mobile Communication.
- ▶ Medical, Communication, Security.
- ▶ Military, Space and Commercial applications.

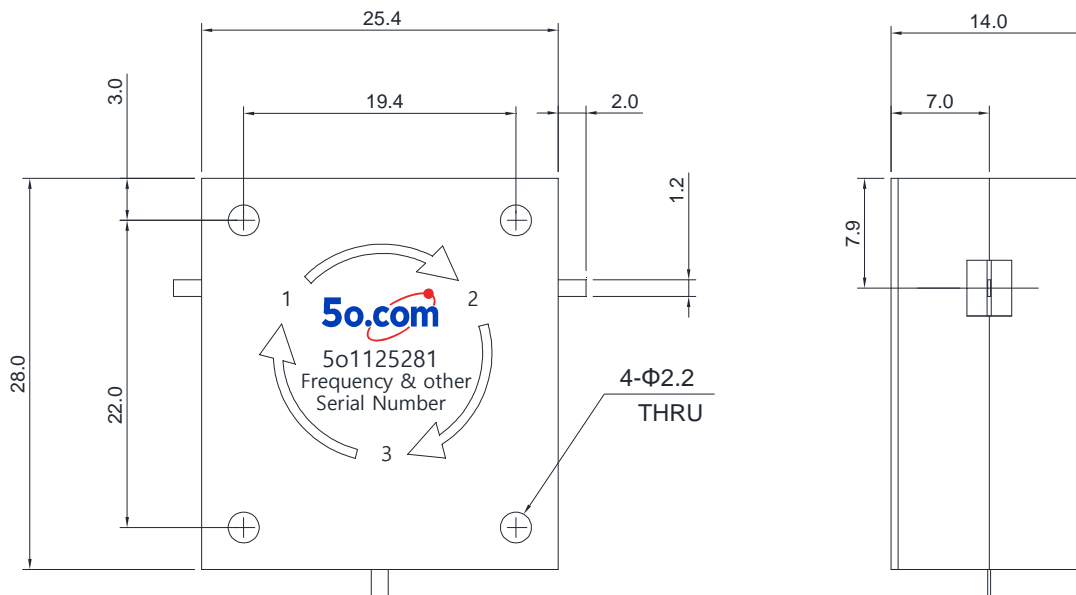
RF Characteristics

| Part Number | Frequency Range (GHz) | Isolation Min(dB) | VSWR Max | Insertion Loss Max(dB) | Connector Type |
|---------------|-----------------------|-------------------|----------|------------------------|----------------|
| 5o11252813565 | 3.5 ~ 6.5 | 18 | 1.3 | 0.5 | TAB |

Basic Specifications

| | | | |
|---------------|--------------|-----------------------|-------------|
| Dimension | 25.4*28*14mm | Impedance | 50Ω |
| Forward Power | 100W | Operating Temperature | -55 ~ +85°C |
| Reverse Power | 100W | Storage Temperature | -55~+125°C |

Overall Dimension(mm)



Instructions

Tolerances: ±2% unless otherwise stated.

- ◆ It can be dual junction or multiple for high isolation.
- ◆ Installing the embedded isolator/circulator, please use stainless steel or brass screws.
- ◆ Only some common frequencies in the table can be produced according to the user's requirements.
- ◆ It supports a one-year standard warranty.