

Drop in Circulator 400 ~ 3000MHz

Application

- ▶ RF power amplifier protection.
- ▶ Digital, Satellite, Mobile Communication.
- ▶ Medical, Communication, Security.
- ▶ Military, Space and Commercial applications.

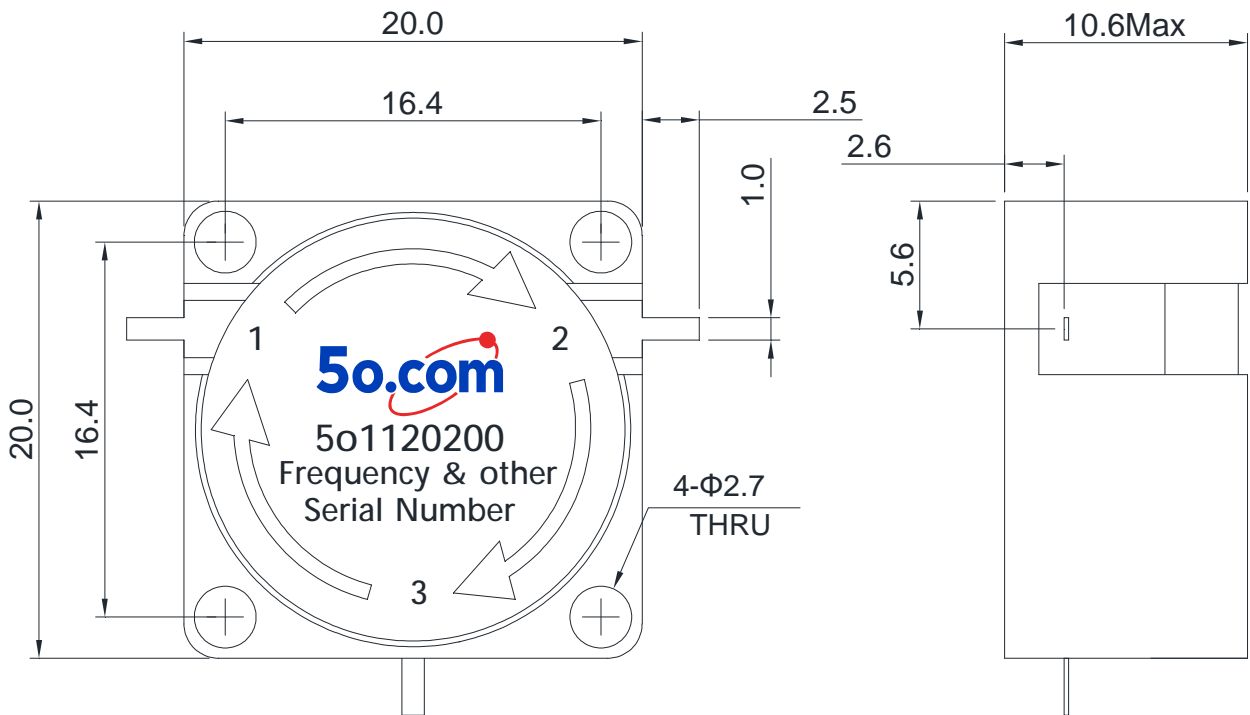
RF Characteristics

Part Number	Frequency Range (MHz)	Isolation Min(dB)	VSWR Max	Insertion Loss Max(dB)	Connector Type	Temp.(°C)
5o1120200400420	400 ~ 420	16	1.4	0.7	TAB	-40 ~ +85
5o1120200430450	430 ~ 450	18	1.3	0.5	TAB	-40 ~ +85
5o1120200450470	450 ~ 470	20	1.25	0.5	TAB	-40 ~ +85
5o1120200470490	470 ~ 490	20	1.25	0.5	TAB	-40 ~ +85
5o1120200490510	490 ~ 510	20	1.25	0.5	TAB	-40 ~ +85
5o1120200700800	700 ~ 800	18	1.3	0.5	TAB	-40 ~ +85
5o1120200825865	825 ~ 865	20	1.25	0.35	TAB	-40 ~ +85
5o1120200860960	860 ~ 960	20	1.25	0.4	TAB	-40 ~ +85
5o1120200869894	869 ~ 894	23	1.2	0.3	TAB	-40 ~ +85
5o1120200880960	880 ~ 960	23	1.2	0.3	TAB	-40 ~ +85
5o1120200902928	902 ~ 928	25	1.15	0.25	TAB	-40 ~ +85
5o1120200925960	925 ~ 960	25	1.15	0.25	TAB	-40 ~ +85
5o112020010001200	1000 ~ 1200	20	1.25	0.4	TAB	-40 ~ +85
5o112020014501550	1450 ~ 1550	23	1.2	0.3	TAB	-40 ~ +85
5o112020017102170	1710 ~ 2170	18	1.3	0.5	TAB	-40 ~ +85
5o112020017151805	1715 ~ 1805	23	1.2	0.3	TAB	-40 ~ +85
5o112020018051880	1805 ~ 1880	25	1.15	0.25	TAB	-40 ~ +85
5o112020019201990	1920 ~ 1990	25	1.15	0.25	TAB	-40 ~ +85
5o112020021102170	2110 ~ 2170	25	1.15	0.25	TAB	-40 ~ +85
5o112020020002700	2000 ~ 2700	18	1.3	0.5	TAB	-40 ~ +85
5o112020022002300	2200 ~ 2300	23	1.2	0.3	TAB	-40 ~ +85
5o112020024002500	2400 ~ 2500	23	1.2	0.3	TAB	-40 ~ +85
5o112020024962690	2496 ~ 2690	23	1.2	0.3	TAB	-40 ~ +85
5o112020025002600	2500 ~ 2600	23	1.2	0.3	TAB	-40 ~ +85

Basic Specifications

Dimension	20*20*10.6mm	Impedance	50Ω
Forward Power	100W	Operating Temperature	-40 ~ +85°C
Reverse Power	100W	Storage Temperature	-55~+125°C

Overall Dimension(mm)



Instructions

Tolerances: ±2% unless otherwise stated.

- ◆It can be dual junction or multiple for high isolation.
- ◆Installing the embedded isolator/circulator, please use stainless steel or brass screws.
- ◆Only some common frequencies in the table can be produced according to the user's requirements.
- ◆It supports a one-year standard warranty.