

Drop in Circulator 0.6 ~ 5.0GHz

Application

- ▶ RF power amplifier protection.
- ▶ Digital, Satellite, Mobile Communication.
- ▶ Medical, Communication, Security.
- ▶ Military, Space and Commercial applications.

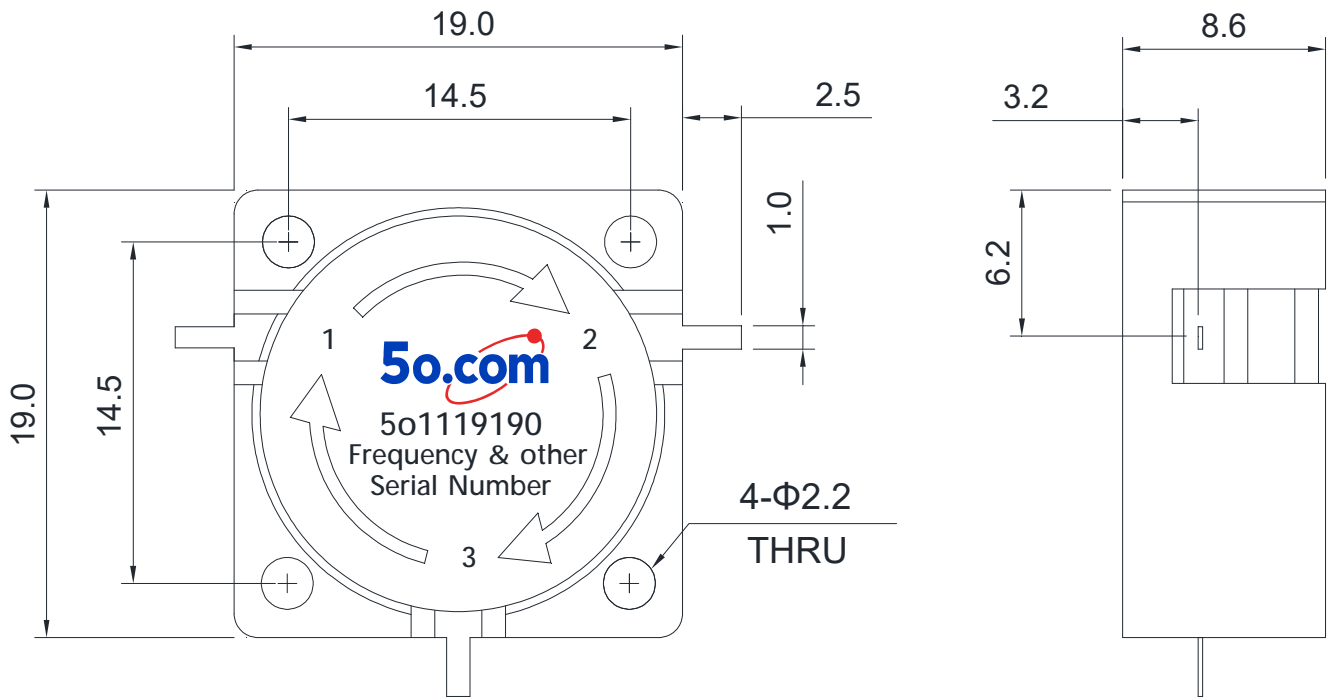
RF Characteristics

Part Number	Frequency Range (MHz)	Isolation Min(dB)	VSWR Max	Insertion Loss Max(dB)	Connector Type	Temp.(°C)
5o1119190617698	617 ~ 698	18	1.3	0.5	TAB	-40 ~ +85
5o1119190703803	703 ~ 803	18	1.3	0.5	TAB	-40 ~ +85
5o1119190824894	824 ~ 894	20	1.25	0.4	TAB	-40 ~ +85
5o1119190860960	860 ~ 960	20	1.25	0.4	TAB	-40 ~ +85
5o1119190925960	925 ~ 960	23	1.2	0.3	TAB	-40 ~ +85
5o111919010701210	1070 ~ 1210	20	1.25	0.4	TAB	-40 ~ +85
5o111919012001400	1200 ~ 1400	22	1.2	0.3	TAB	-40 ~ +85
5o111919012501450	1250 ~ 1450	23	1.2	0.25	TAB	-40 ~ +85
5o111919014501550	1450 ~ 1550	23	1.2	0.3	TAB	-40 ~ +85
5o111919015001700	1500 ~ 1700	23	1.2	0.3	TAB	-40 ~ +85
5o111919017102170	1710 ~ 2170	16	1.4	0.6	TAB	-40 ~ +85
5o111919018051880	1805 ~ 1880	25	1.15	0.25	TAB	-40 ~ +85
5o111919019201990	1920 ~ 1990	25	1.15	0.25	TAB	-40 ~ +85
5o111919020002400	2000 ~ 2400	20	1.25	0.4	TAB	-40 ~ +85
5o111919021102170	2110 ~ 2170	25	1.15	0.25	TAB	-40 ~ +85
5o111919023002500	2300 ~ 2500	23	1.2	0.3	TAB	-40 ~ +85
5o111919024002600	2400 ~ 2600	23	1.2	0.3	TAB	-40 ~ +85
5o111919024962690	2496 ~ 2690	23	1.2	0.3	TAB	-40 ~ +85
5o111919025002700	2500 ~ 2700	23	1.2	0.3	TAB	-40 ~ +85
5o111919027003100	2700 ~ 3100	23	1.2	0.3	TAB	-40 ~ +85
5o111919027003500	2700 ~ 3500	18	1.3	0.5	TAB	-40 ~ +85
5o111919031503250	3150 ~ 3250	25	1.15	0.25	TAB	-40 ~ +85
5o111919033003600	3300 ~ 3600	23	1.2	0.3	TAB	-40 ~ +85
5o111919035004500	3500 ~ 4500	18	1.3	0.5	TAB	-40 ~ +85
5o111919036003800	3600 ~ 3800	23	1.2	0.3	TAB	-40 ~ +85
5o111919039004200	3900 ~ 4200	23	1.2	0.3	TAB	-40 ~ +85
5o111919039004500	3900 ~ 4500	20	1.25	0.4	TAB	-40 ~ +85
5o111919040004500	4000 ~ 4500	20	1.2	0.35	TAB	-40 ~ +85
5o111919042004700	4200 ~ 4700	20	1.25	0.35	TAB	-40 ~ +85
5o111919044005000	4400 ~ 5000	20	1.25	0.4	TAB	-40 ~ +85

Basic Specifications

Dimension	19*19*8.6 mm	Impedance	50Ω
Forward Power	100W	Operating Temperature	-40 ~ +85°C
Reverse Power	100W	Storage Temperature	-55~+125°C

Overall Dimension(mm)



Instructions

Tolerances: ±2% unless otherwise stated.

- ◆ It can be dual junction or multiple for high isolation.
- ◆ Installing the embedded isolator/circulator, please use stainless steel or brass screws.
- ◆ Only some common frequencies in the table can be produced according to the user's requirements.
- ◆ It supports a one-year standard warranty.