

Drop in Circulator 26.5 ~ 40.0GHz

Application

- ▶ RF power amplifier protection.
- ▶ Digital, Satellite, Mobile Communication.
- ▶ Medical, Communication, Security.
- ▶ Military, Space and Commercial applications.

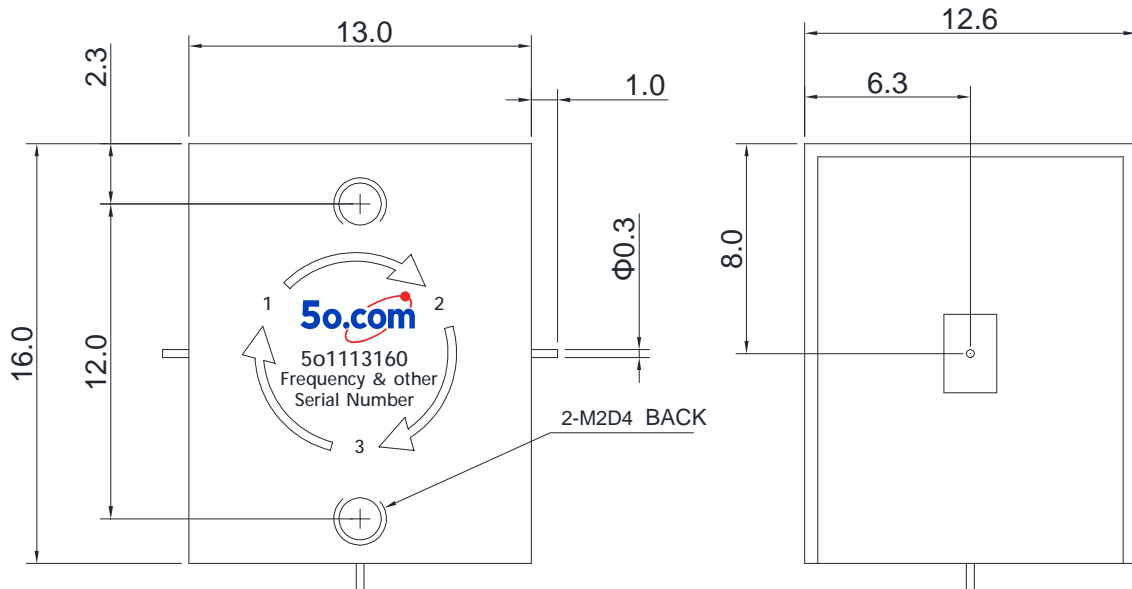
RF Characteristics

Part Number	Frequency Range (GHz)	Isolation Min(dB)	VSWR Max	Insertion Loss Max(dB)	Connector Type	Temp.(°C)
5o111316026540	26.5 ~ 40.0	14	1.6	1.5	TAB	+25±5
		12	1.8	1.7		-40 ~ +85

Basic Specifications

Dimension	13*16*12.6 mm	Impedance	50Ω
Forward Power	10W	Operating Temperature	-40 ~ +85°C
Reverse Power	10W	Storage Temperature	-55~+125°C

Overall Dimension(mm)



Instructions

Tolerances: $\pm 2\%$ unless otherwise stated.

- ◆ It can be dual junction or multiple for high isolation.
- ◆ Installing the embedded isolator/circulator, please use stainless steel or brass screws.
- ◆ Only some common frequencies in the table can be produced according to the user's requirements.
- ◆ It supports a one-year standard warranty.