

Drop in Circulator 4.0 ~ 8.0GHz

Application

- ▶ RF power amplifier protection.
- ▶ Digital, Satellite, Mobile Communication.
- ▶ Medical, Communication, Security.
- ▶ Military, Space and Commercial applications.

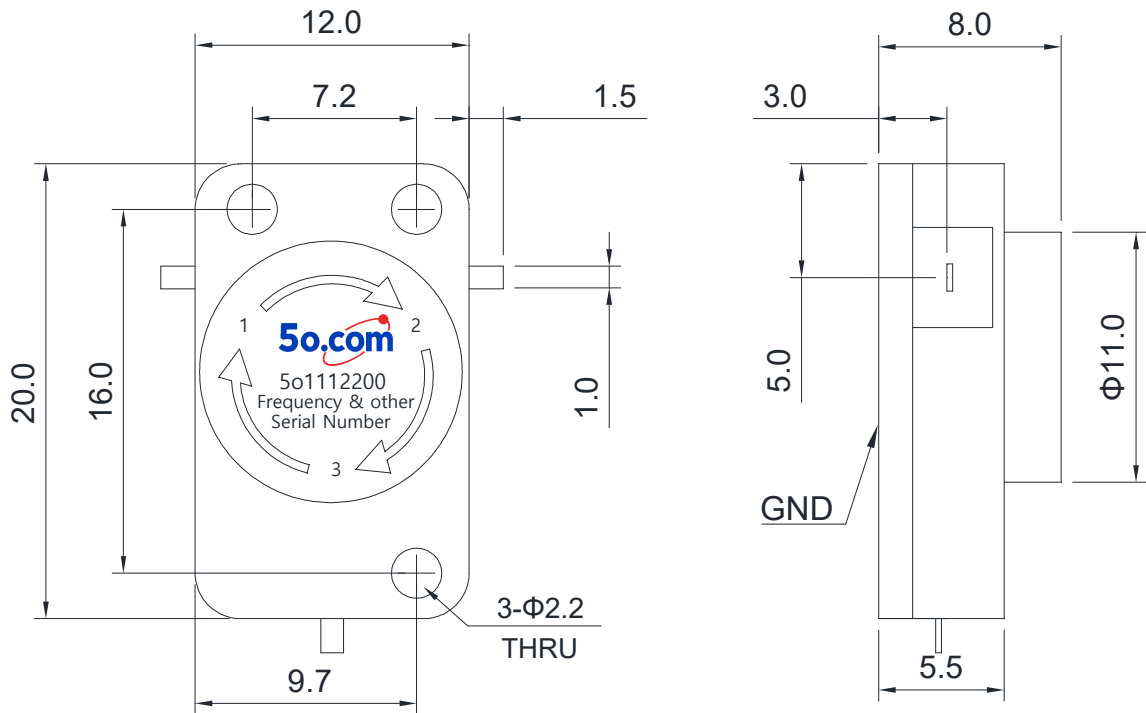
RF Characteristics

Part Number	Frequency Range (GHz)	Isolation Min(dB)	VSWR Max	Insertion Loss Max(dB)	Connector Type	Temp.(°C)
5o1112200455	4.5 ~ 5.0	20	1.25	0.4	TAB	-40 ~ +85
5o11122004752	4.7 ~ 5.2	20	1.25	0.4	TAB	-40 ~ +85
5o1112200558	5.0 ~ 5.8	20	1.25	0.4	TAB	-40 ~ +85
5o111220056	5.0 ~ 6.0	18	1.3	0.5	TAB	-40 ~ +85
5o11122005259	5.2 ~ 5.9	20	1.2	0.4	TAB	-40 ~ +85
5o11122005459	5.4 ~ 5.9	23	1.2	0.3	TAB	-40 ~ +85
5o1112200556	5.5 ~ 6.0	23	1.2	0.3	TAB	-40 ~ +85
5o11122005759	5.7 ~ 5.9	23	1.2	0.3	TAB	-40 ~ +85
5o11122005765	5.7 ~ 6.5	20	1.25	0.5	TAB	-40 ~ +85
5o111220067	6.0 ~ 7.0	23	1.2	0.35	TAB	-40 ~ +85
5o1112200635655	6.35 ~ 6.55	23	1.2	0.3	TAB	-55 ~ +85
5o11122007173	7.1 ~ 7.3	23	1.2	0.25	TAB	-40 ~ +85
5o111220078	7.0 ~ 8.0	18	1.3	0.5	TAB	-40 ~ +85

Basic Specifications

Dimension	12*20*8 mm	Impedance	50Ω
Forward Power	60W	Operating Temperature	-55 ~ +85°C
Reverse Power	60W	Storage Temperature	-55~+125°C

Overall Dimension(mm)



Instructions

Tolerances: ±2% unless otherwise stated.

- ◆It can be dual junction or multiple for high isolation.
- ◆Installing the embedded isolator/circulator, please use stainless steel or brass screws.
- ◆Only some common frequencies in the table can be produced according to the user's requirements.
- ◆It supports a one-year standard warranty.