

Drop in Circulator 0.7 ~ 10.0GHz

Application

- ▶ RF power amplifier protection.
- ▶ Digital, Satellite, Mobile Communication.

- ▶ Medical, Communication, Security.
- ▶ Military, Space and Commercial applications.

RF Characteristics

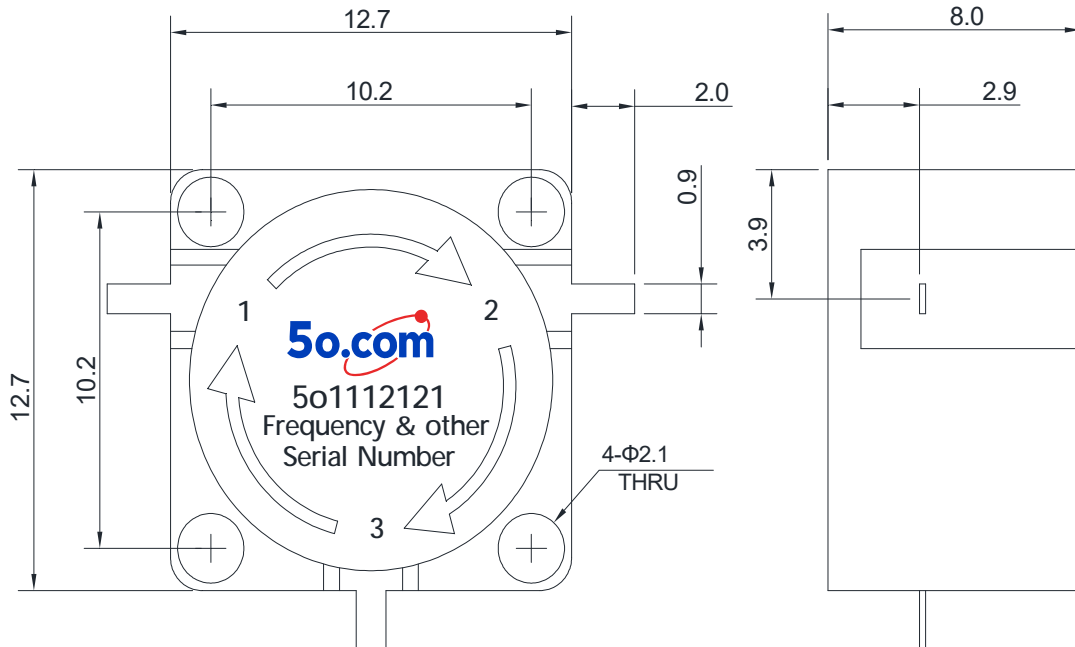
Part Number	Frequency Range (MHz)	Isolation Min(dB)	VSWR Max	Insertion Loss Max(dB)	Connector Type	Temp.(°C)
5o1112121703748	703 ~ 748	16	1.4	0.7	TAB	-40 ~ +85
5o1112121758803	758 ~ 803	16	1.4	0.6	TAB	-40 ~ +85
5o1112121791862	791 ~ 862	16	1.4	0.7	TAB	-40 ~ +85
5o1112121824894	824 ~ 894	18	1.3	0.55	TAB	-40 ~ +85
5o1112121880960	880 ~ 960	18	1.3	0.5	TAB	-40 ~ +85
5o11121219901130	990 ~ 1130	15	1.5	0.7	TAB	-40 ~ +85
5o111212112301350	1230 ~ 1350	18	1.3	0.4	TAB	-40 ~ +85
5o111212113301390	1330 ~ 1390	20	1.25	0.4	TAB	-40 ~ +85
5o111212114271517	1427 ~ 1517	20	1.25	0.4	TAB	-40 ~ +85
5o111212115651585	1565 ~ 1585	23	1.2	0.3	TAB	-40 ~ +85
5o111212116161620	1616 ~ 1620	23	1.2	0.3	TAB	-40 ~ +85
5o111212117101785	1710 ~ 1785	23	1.2	0.3	TAB	-40 ~ +85
5o111212118051880	1805 ~ 1880	23	1.2	0.3	TAB	-40 ~ +85
5o111212118052170	1805 ~ 2170	18	1.3	0.5	TAB	-40 ~ +85
5o111212119201990	1920 ~ 1990	23	1.2	0.3	TAB	-40 ~ +85
5o111212121102170	2110 ~ 2170	23	1.2	0.3	TAB	-40 ~ +85
5o111212123002500	2300 ~ 2500	23	1.2	0.3	TAB	-40 ~ +85
5o111212124002600	2400 ~ 2600	23	1.2	0.3	TAB	-40 ~ +85
5o111212124962690	2496 ~ 2690	23	1.2	0.3	TAB	-40 ~ +85
5o111212125002700	2500 ~ 2700	23	1.2	0.3	TAB	-40 ~ +85
5o111212127003100	2700 ~ 3100	21	1.25	0.4	TAB	-40 ~ +85
5o111212129003300	2900 ~ 3300	20	1.25	0.4	TAB	-40 ~ +85
5o111212131003600	3100 ~ 3600	20	1.25	0.4	TAB	-40 ~ +85
5o111212133003600	3300 ~ 3600	23	1.2	0.3	TAB	-40 ~ +85
5o111212137004200	3700 ~ 4200	23	1.2	0.3	TAB	-40 ~ +85
5o111212142004400	4200 ~ 4400	21	1.2	0.3	TAB	-40 ~ +85
5o111212144005000	4400 ~ 5000	20	1.25	0.4	TAB	-40 ~ +85

5o111212148005000	4800 ~ 5000	23	1.2	0.3	TAB	-40 ~ +85
5o111212150005500	5000 ~ 5500	23	1.2	0.3	TAB	-40 ~ +85
5o111212150006000	5000 ~ 6000	19	1.25	0.4	TAB	-40 ~ +85
5o111212155006000	5500 ~ 6000	23	1.2	0.3	TAB	-40 ~ +85
5o111212158006200	5800 ~ 6200	20	1.25	0.4	TAB	-40 ~ +85
5o111212162006800	6200 ~ 6800	20	1.25	0.4	TAB	-40 ~ +85
5o111212165007000	6500 ~ 7000	20	1.25	0.4	TAB	-40 ~ +85
5o111212170008000	7000 ~ 8000	20	1.25	0.4	TAB	-40 ~ +85
5o111212179008400	7900 ~ 8400	20	1.25	0.4	TAB	-40 ~ +85
5o111212185009500	8500 ~ 9500	20	1.25	0.4	TAB	-40 ~ +85
5o1112121900010000	9000~10000	20	1.25	0.4	TAB	-40 ~ +85

Basic Specifications

Dimension	12.7*12.7*8 mm	Impedance	50Ω
Forward Power	60W	Operating Temperature	-40 ~ +85°C
Reverse Power	60W	Storage Temperature	-55~+125°C

Overall Dimension(mm)



Instructions

Tolerances: $\pm 2\%$ unless otherwise stated.

- ◆ It can be dual junction or multiple for high isolation.
- ◆ Installing the embedded isolator/circulator, please use stainless steel or brass screws.
- ◆ Only some common frequencies in the table can be produced according to the user's requirements.
- ◆ It supports a one-year standard warranty.