

Drop in Circulator 70 ~ 130MHz

Application

- ▶ RF power amplifier protection.
- ▶ Digital, Satellite, Mobile Communication.
- ▶ Medical, Communication, Security.
- ▶ Military, Space and Commercial applications.

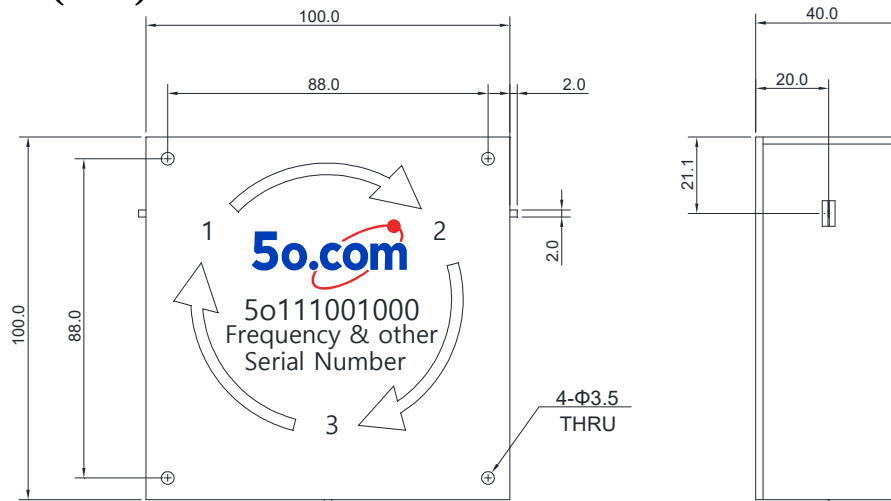
RF Characteristics

Part Number	Frequency Range (MHz)	Isolation Min(dB)	VSWR Max	Insertion Loss Max(dB)	Connector Type	Temp.(°C)
5o1110010007075	70 ~ 75	16	1.45	1.2	TAB	0 ~ +70
5o1110010007585	75 ~ 85	16	1.45	1.2	TAB	0 ~ +70
5o1110010007696	76 ~ 96	16	1.45	1.2	TAB	0 ~ +70
5o1110010008090	80 ~ 90	16	1.45	0.8	TAB	0 ~ +70
5o11100100088108	88 ~ 108	17	1.35	0.8	TAB	0 ~ +70
5o111001000110130	110 ~ 130	20	1.25	0.5	TAB	0 ~ +70

Basic Specifications

Dimension	100*100*40mm	Impedance	50Ω
Forward Power	500W	Operating Temperature	0 ~ +70°C
Reverse Power	500W	Storage Temperature	-55~+125°C

Overall Dimension(mm)



Instructions

Tolerances: ±2% unless otherwise stated.

- ◆ It can be dual junction or multiple for high isolation.
- ◆ Installing the embedded isolator/circulator, please use stainless steel or brass screws.
- ◆ Only some common frequencies in the table can be produced according to the user's requirements.
- ◆ It supports a one-year standard warranty.