

## Coaxial Circulator 60 ~200MHz

### Application

- ▶ RF power amplifier protection.
- ▶ Digital, Satellite, Mobile Communication.
- ▶ Medical, Communication, Security.
- ▶ Military, Space and Commercial applications.

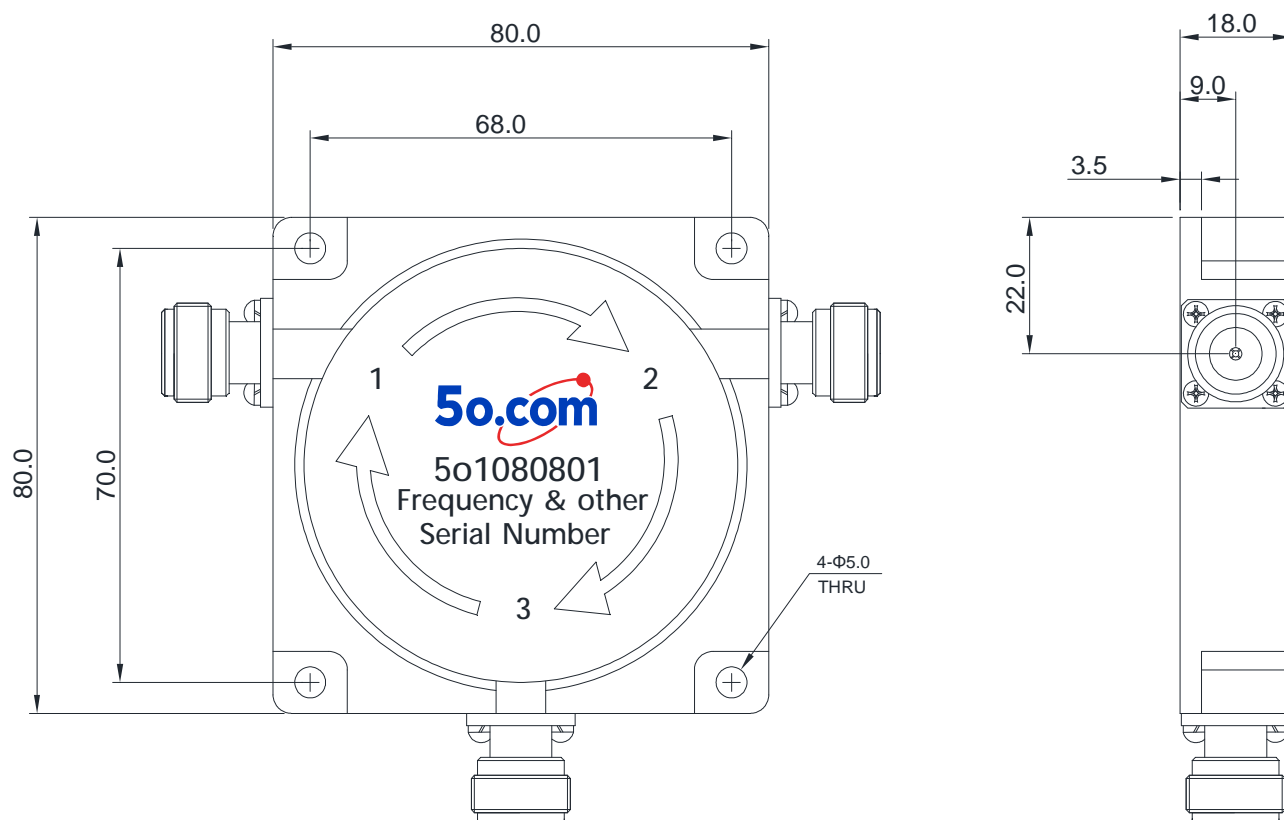
### RF Characteristics

Part Number	Frequency Range (MHz)	Isolation Min(dB)	VSWR Max	Insertion Loss Max(dB)	Connector Type	Temp.(°C)
5o10808016265NK	62 ~ 65	16	1.4	1.5	N Female	0 ~ +70
5o10808017075NK	70 ~ 75	18	1.3	1.2	N Female	0 ~ +70
5o10808017580NK	75 ~ 80	18	1.3	0.9	N Female	0 ~ +70
5o10808018125NK	81.25	20	1.25	0.6	N Female	0 ~ +70
5o10808018090NK	80 ~ 90	18	1.3	0.8	N Female	0 ~ +70
5o10808018595NK	85 ~ 95	18	1.3	0.7	N Female	0 ~ +70
5o1080801108118NK	108 ~ 118	18	1.3	0.5	N Female	0 ~ +70
5o1080801118137NK	118 ~ 137	18	1.3	0.5	N Female	0 ~ +70
5o1080801130150NK	130 ~ 150	20	1.25	0.5	N Female	0 ~ +70
5o1080801148174NK	148 ~ 174	20	1.25	0.5	N Female	0 ~ +70
5o10808011625NK	162.5	25	1.15	0.2	N Female	0 ~ +70

### Basic Specifications

Dimension	80*80*18 mm
Forward Power	500W
Reverse Power	500W
Connector Type	N(Male/Female)
Storage Temperature	-55°C~+125°C
Impedance	50Ω

## Overall Dimension(mm)



## Instructions

Tolerances:  $\pm 2\%$  unless otherwise stated.

- ◆ It can be dual junction or multiple for high isolation.
- ◆ The connector can be selected according to requirements, Connect type (N Male/ Female, etc.)
- ◆ Only some common frequencies in the table can be produced according to the user's requirements.
- ◆ It supports a one-year standard warranty.