

## Coaxial Circulator 10 ~ 55MHz

### Application

- ▶ RF power amplifier protection.
- ▶ Digital, Satellite, Mobile Communication.
- ▶ Medical, Communication, Security.
- ▶ Military, Space and Commercial applications.

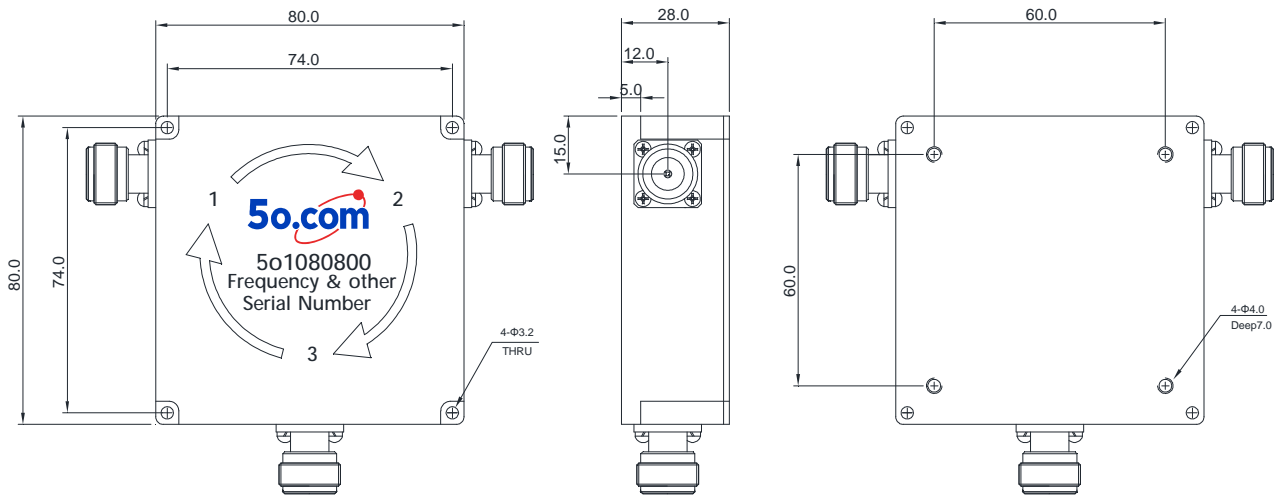
### RF Characteristics

Part Number	Frequency Range (MHz)	Isolation Min(dB)	VSWR Max	Insertion Loss Max(dB)	Connector Type	Temp.(°C)
5o10808001012SK	10 ~ 12	11	1.8	5.0	SMA Female	+20 ~ +60
5o10808001271314407SK	12.713 ~ 14.407	11	1.8	5.0	SMA Female	+20 ~ +60
5o10808001314SK	13 ~ 14	14	1.5	5.0	SMA Female	+20 ~ +60
5o10808001820SK	18 ~ 20	15	1.45	5.0	SMA Female	+20 ~ +60
5o10808002530SK	25 ~ 30	12	1.45	3.5	SMA Female	+10 ~ +60
5o10808002628SK	26 ~ 28	15	1.45	3.0	SMA Female	+10 ~ +60
5o1080800285305NK	28.5 ~ 30.5	16	1.4	2.8	N Female	+10 ~ +60
5o10808003032NK	30 ~ 32	16	1.4	1.8	N Female	+10 ~ +60
5o10808003035NK	30 ~ 35	15	1.5	2.5	N Female	+10 ~ +60
5o10808003545SK	35 ~ 45	16	1.4	3.0	SMA Female	+10 ~ +60
5o10808004450NKNJNK	44 ~ 50	20	1.25	1.2	N Female to N Male	25±5
		17	1.35	1.5	to N Female	+20 ~ +60

### Basic Specifications

Dimension	80*80*28 mm
Forward Power	100W
Reverse Power	100W
Connector Type	N(Male/Female), SMA(Male/Female)
Storage Temperature	-55°C~+125°C
Impedance	50Ω

### Overall Dimension(mm)



### Instructions

Tolerances: ±2% unless otherwise stated.

- ◆It can be dual junction or multiple for high isolation.
- ◆The connector can be selected according to requirements, Connect type (SMA Male/Female, N Male/ Female, etc.)
- ◆Only some common frequencies in the table can be produced according to the user's requirements.
- ◆It supports a one-year standard warranty.