

# 500W Coaxial Circulator 1.0 ~ 2.0GHz

## Application

- ▶ RF power amplifier protection.
- ▶ Digital, Satellite, Mobile Communication.
- ▶ Medical, Communication, Security.
- ▶ Military, Space and Commercial applications.
- ▶ It supports a one-year standard warranty.

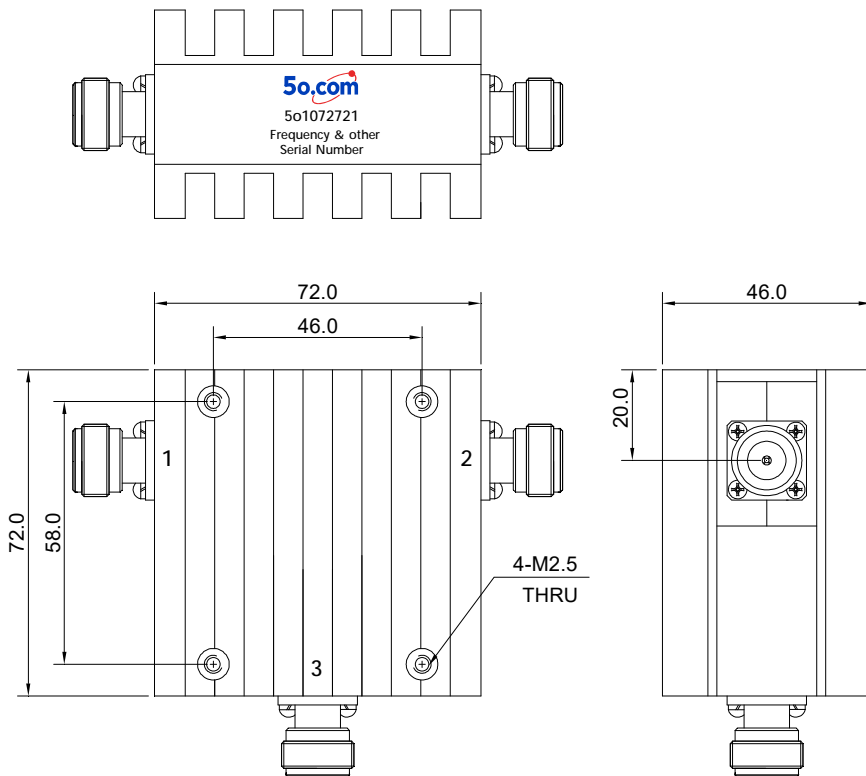
## RF Characteristics

Part Number	Frequency Range (GHz)	Isolation Min(dB)	VSWR Max	Insertion Loss Max(dB)	Connector Type	Temp.(°C)
5o107272112NK	1.0 ~ 2.0	16	1.4	0.7	N Female	25±5
		15	1.5	0.75		+10 ~ +60

## Basic Specifications

Dimension	72*72*46mm	Impedance	50Ω
Forward Power	500W	Operating Temperature	+10 ~ +60°C
Reverse Power	500W	Storage Temperature	-55~+125°C

## Overall Dimension(mm)



Tolerances: ±2% unless otherwise stated.