

Coaxial Circulator 0.8 ~ 2.0GHz

Application

- ▶ RF power amplifier protection.
- ▶ Medical, Communication, Security.
- ▶ Digital, Satellite, Mobile Communication.
- ▶ Military, Space and Commercial applications.

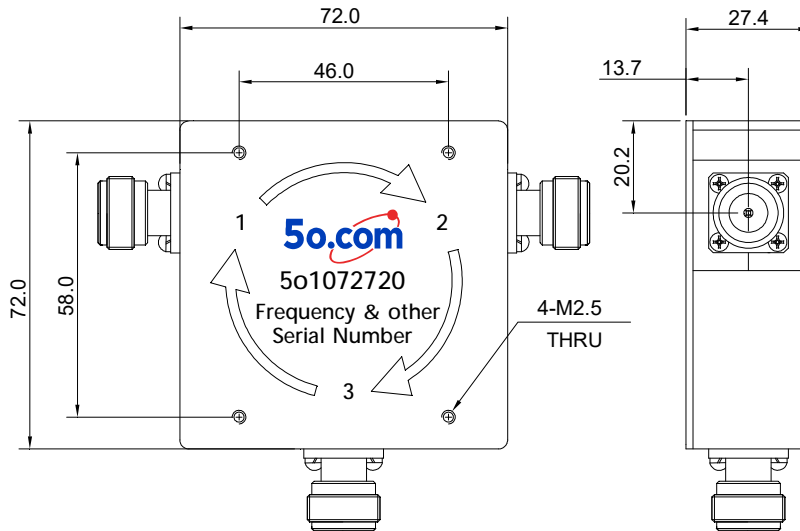
RF Characteristics

Part Number	Frequency Range (GHz)	Isolation Min(dB)	VSWR Max	Insertion Loss Max(dB)	Forward Power(W)	Reverse Power(W)	Connector Type
5o1272720082NK	0.8 ~ 2.0	12	1.6	1.3	300	300	N Female
5o1272720082SK	0.8 ~ 2.0	12	1.6	1.3	100	100	SMA Female

Basic Specifications

Dimension	72*72*27.4mm	Operating Temperature	+10 ~ +70°C
Impedance	50Ω	Storage Temperature	-55~+125°C

Overall Dimension(mm)



Instructions

Tolerances: ±2% unless otherwise stated.

- ◆ It can be dual junction or multiple for high isolation.
- ◆ The connector can be selected according to requirements, Connect type (SMA Male/Female, N Male/ Female, etc.)
- ◆ Only some common frequencies in the table can be produced according to the user's requirements.
- ◆ It supports a one-year standard warranty.