

# Coaxial Circulator 130 ~ 900MHz

## Application

- ▶ RF power amplifier protection.
- ▶ Digital, Satellite, Mobile Communication.
- ▶ Medical, Communication, Security.
- ▶ Military, Space and Commercial applications.

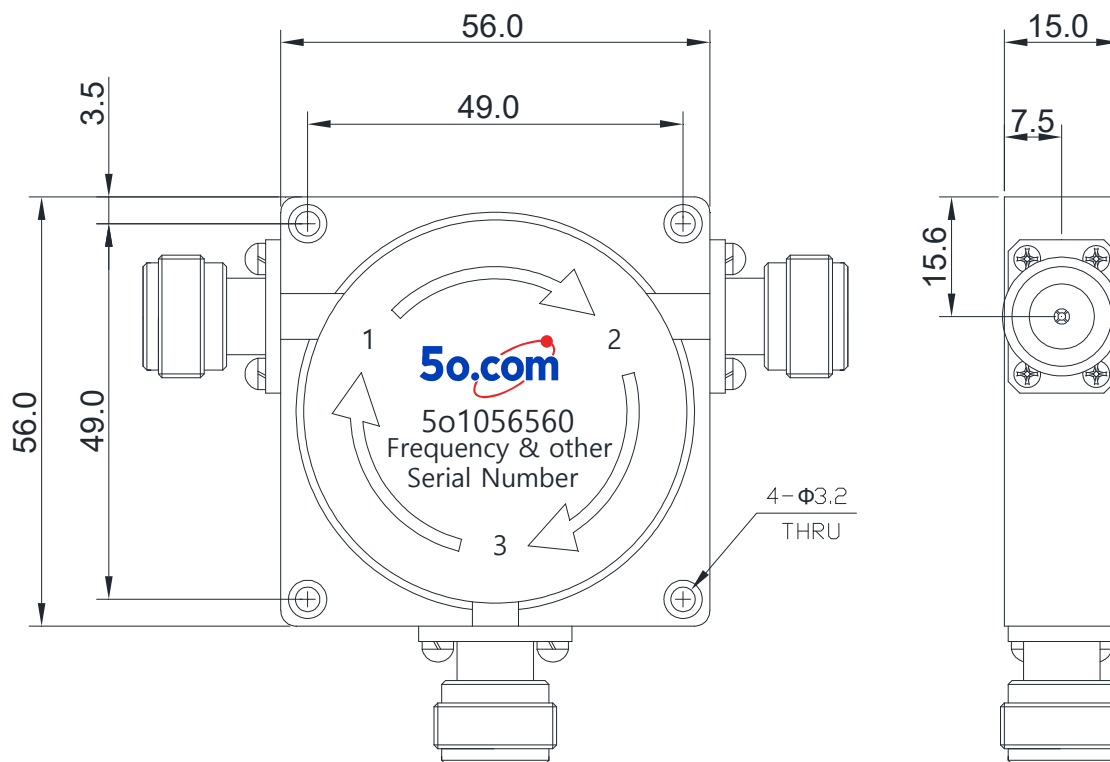
## RF Characteristics

Part Number	Frequency Range (MHz)	Isolation Min(dB)	VSWR Max	Insertion Loss Max(dB)	Connector Type	Temp.(°C)
5o1056560136150NK	136 ~ 150	18	1.3	0.5	N Female	-10 ~ +60
5o1056560150155SK	150 ~ 155	20	1.25	0.5	SMA Female	-10 ~ +70
5o1056560150170SK	150 ~ 170	18	1.3	0.6	SMA Female	-10 ~ +70
5o1056560168171NK	168 ~ 171	23	1.2	0.4	N Female	-30 ~ +70
5o1056560170200SK	170 ~ 200	18	1.3	0.7	SMA Female	-30 ~ +70
5o1056560180220SK	180 ~ 220	18	1.3	0.5	SMA Female	-30 ~ +70
5o1056560192232NK	192 ~ 232	20	1.25	0.4	N Female	-30 ~ +70
5o105656019752075SJSK	197.5 ~ 207.5	23	1.2	0.4	SMA Male to SMA Female	-30 ~ +70
5o1056560200250SK	200 ~ 250	20	1.25	0.6	SMA Female	-30 ~ +70
5o1056560230250NK	230 ~ 250	23	1.2	0.3	N Female	-30 ~ +70
5o1056560250300SK	250 ~ 300	20	1.25	0.4	SMA Female	-30 ~ +70
5o1056560400600SK	400 ~ 600	15	1.5	0.6	SMA Female	-30 ~ +70
5o1056560500750SK	500 ~ 750	16	1.4	0.5	SMA Female	-30 ~ +70
5o1056560600900SK	600 ~ 900	17	1.35	0.5	SMA Female	-30 ~ +70

## Basic Specifications

Dimension	56*56*15mm
Forward Power	300W/100W
Reverse Power	300W/100W
Connector Type	SMA (Male/Female), N(Male/Female)
Storage Temperature	-55°C~+125°C
Impedance	50Ω

## Overall Dimension(mm)



## Instructions

Tolerances:  $\pm 2\%$  unless otherwise stated.

- ◆ It can be dual junction or multiple for high isolation.
- ◆ The connector can be selected according to requirements, Connect type (SMA Male/Female, N Male/ Female, etc.)
- ◆ Only some common frequencies in the table can be produced according to the user's requirements.
- ◆ It supports a one-year standard warranty.