

Coaxial Circulator 300W 4.0 ~ 8.0GHz

Application

- ▶ RF power amplifier protection.
- ▶ Digital, Satellite, Mobile Communication.
- ▶ Medical, Communication, Security.
- ▶ Military, Space and Commercial applications.
- ▶ It supports a one-year standard warranty.

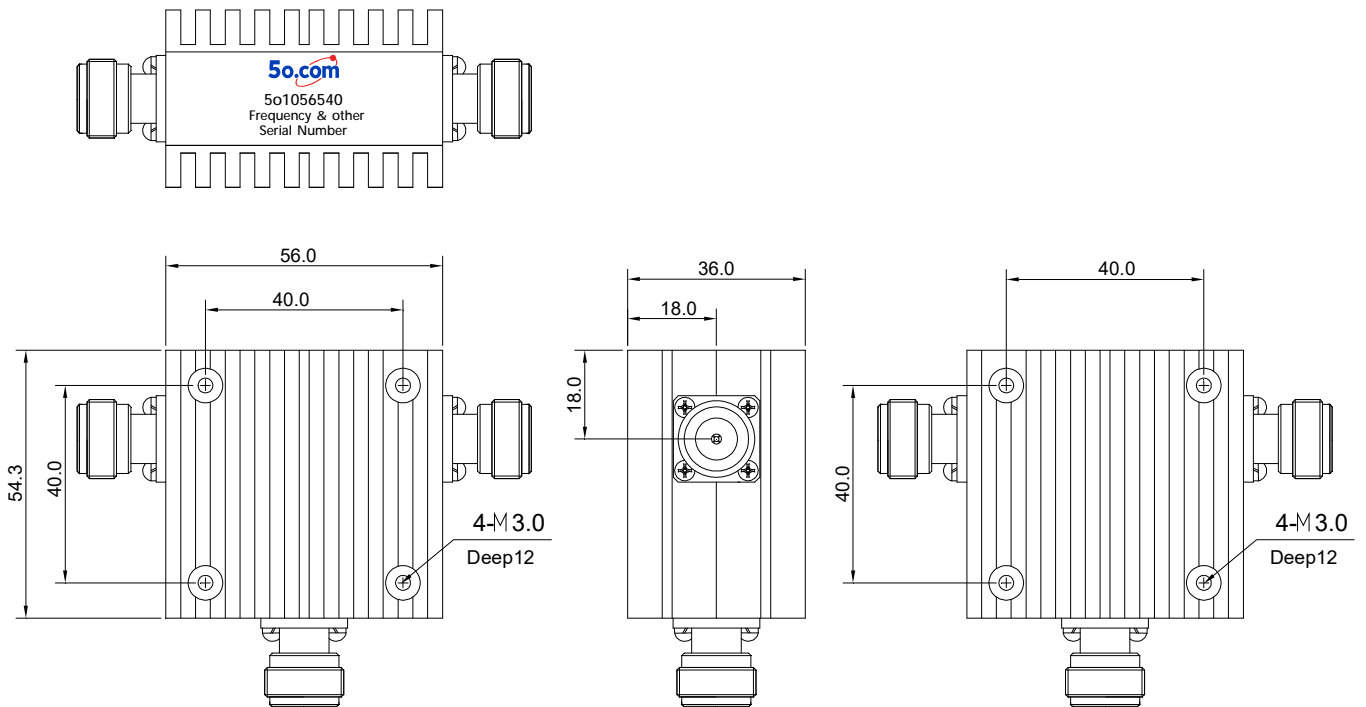
RF Characteristics

Part Number	Frequency Range (GHz)	Isolation Min(dB)	VSWR Max	Insertion Loss Max(dB)	Connector Type
5o105654048NK	4.0 ~ 8.0	16	1.4	0.6	N Female

Basic Specifications

Dimension	56*54.3*36mm	Impedance	50Ω
Forward Power	300W	Operating Temperature	-30 ~ +70°C
Reverse Power	300W	Storage Temperature	-55~+125°C

Overall Dimension(mm)



Tolerances: $\pm 2\%$ unless otherwise stated.