

# Coaxial Circulator 300 ~ 1500MHz

## Application

- ▶ RF power amplifier protection.
- ▶ Digital, Satellite, Mobile Communication.
- ▶ Medical, Communication, Security.
- ▶ Military, Space and Commercial applications.

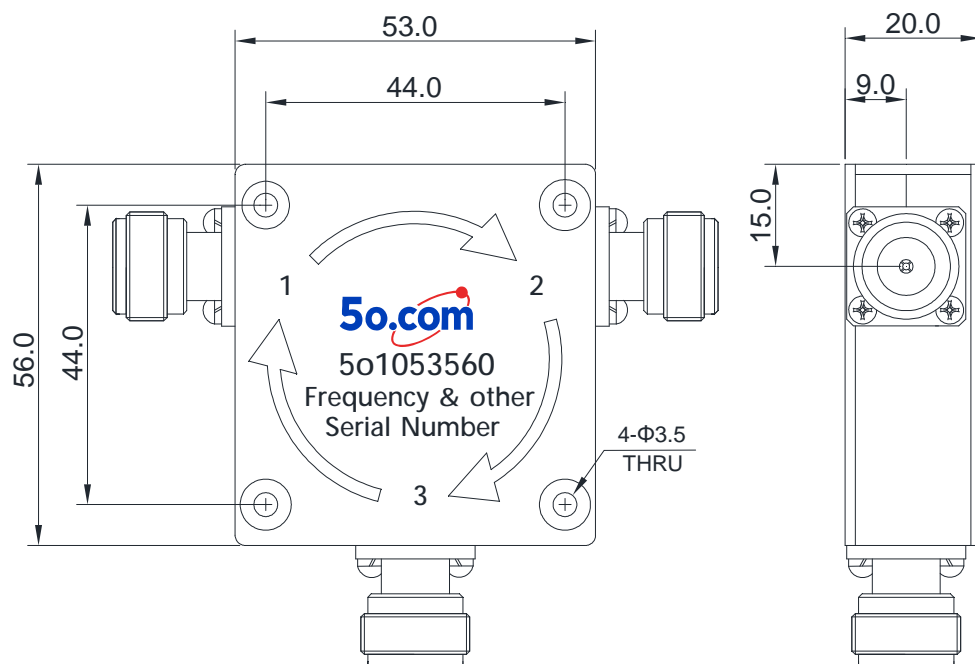
## RF Characteristics

Part Number	Frequency Range (MHz)	Isolation Min(dB)	VSWR Max	Insertion Loss Max(dB)	Connector Type	Temp.(°C)
5o1053560300350NK	300 ~ 350	20	1.25	0.5	N Female	-30 ~ +70
5o1053560350400NJ	350 ~ 400	20	1.25	0.5	N Male	-30 ~ +70
5o1053560400500NK	400 ~ 500	20	1.25	0.4	N Female	-30 ~ +70
5o1053560450500NJ	450 ~ 512	23	1.2	0.3	N Male	-30 ~ +70
5o1053560500590NK	500 ~ 590	23	1.2	0.3	N Female	-40 ~ +85
5o1053560590710NK	590 ~ 710	20	1.25	0.4	N Female	-40 ~ +85
5o1053560700900NK	700 ~ 900	23	1.2	0.3	N Female	-40 ~ +85
5o10535608001000NK	800 ~ 1000	23	1.2	0.25	N Female	-40 ~ +85
5o10535609001200NK	900 ~ 1200	23	1.2	0.3	N Female	0 ~ +65
5o10535609601215NK	960 ~ 1215	23	1.2	0.3	N Female	0 ~ +65
5o105356012001400NK	1200 ~ 1400	25	1.15	0.2	N Female	0 ~ +65

## Basic Specifications

Dimension	53*56*20mm
Forward Power	500W
Reverse Power	500W
Connector Type	N(Male/Female)
Storage Temperature	-55°C~+125°C
Impedance	50Ω

## Overall Dimension(mm)



## Instructions

Tolerances:  $\pm 2\%$  unless otherwise stated.

- ◆ It can be dual junction or multiple for high isolation.
- ◆ The connector can be selected according to requirements, Connect type (N Male/ Female, etc.)
- ◆ Only some common frequencies in the table can be produced according to the user's requirements.
- ◆ It supports a one-year standard warranty.