

## Coaxial Circulator 250 ~ 1500MHz

### Application

- ▶ RF power amplifier protection.
- ▶ Digital, Satellite, Mobile Communication.
- ▶ Medical, Communication, Security.
- ▶ Military, Space and Commercial applications.

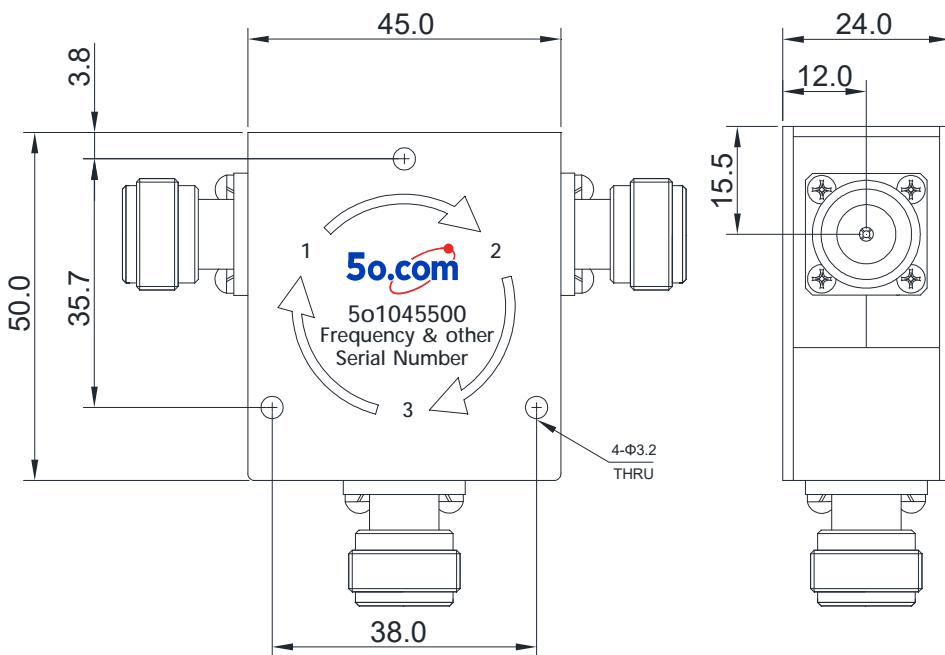
### RF Characteristics

Part Number	Frequency Range (MHz)	Isolation Min(dB)	VSWR Max	Insertion Loss Max(dB)	Connector Type	Temp.(°C)
5o1045500250260SK	250 ~ 260	20	1.25	0.5	SMA Female	-30 ~ +70
5o1045500250300SK	250 ~ 300	18	1.3	0.6	SMA Female	-30 ~ +70
5o1045500289359NK	289 ~ 359	20	1.25	0.5	N Female	-30 ~ +70
5o1045500300400SK	300 ~ 400	18	1.3	0.6	SMA Female	-30 ~ +70
5o1045500350400SK	350 ~ 400	23	1.2	0.35	SMA Female	-30 ~ +70
5o1045500350500SK	350 ~ 500	16	1.4	0.6	SMA Female	-20 ~ +60
5o1045500400430NK	400 ~ 430	25	1.15	0.25	N Female	-30 ~ +70
5o1045500400500NK	400 ~ 500	20	1.25	0.35	N Female	-30 ~ +70
5o1045500400512SK	400 ~ 512	20	1.25	0.5	SMA Female	-30 ~ +70
5o1045500440470NK	440 ~ 470	25	1.15	0.25	N Female	-30 ~ +70
5o1045500450600SK	450 ~ 600	18	1.3	0.5	SMA Female	-30 ~ +70
5o1045500470650NK	470 ~ 650	18	1.3	0.6	N Female	-30 ~ +70
5o1045500500700NK	500 ~ 700	18	1.3	0.5	N Female	-30 ~ +70
5o10455006901000SK	690 ~ 1000	18	1.3	0.5	SMA Female	-30 ~ +70
5o10455007001000SK	700 ~ 1000	18	1.3	0.5	SMA Female	-30 ~ +70
5o10455008501150SJSK	850 ~ 1150	20	1.25	0.4	SMA Male to SMA Female	-30 ~ +70
5o104550012001300NJNK	1200 ~ 1300	23	1.2	0.3	N Male to N Female	-30 ~ +70

## Basic Specifications

<b>Dimension</b>	45*50*24mm
<b>Forward Power</b>	300W/100W
<b>Reverse Power</b>	300W/100W
<b>Connector Type</b>	SMA (Male/Female), N(Male/Female)
<b>Storage Temperature</b>	-55°C~+125°C
<b>Impedance</b>	50Ω

## Overall Dimension(mm)



## Instructions

Tolerances: ±2% unless otherwise stated.

- ◆ It can be dual junction or multiple for high isolation.
- ◆ The connector can be selected according to requirements, Connect type (SMA Male/Female, N Male/ Female, etc.)
- ◆ Only some common frequencies in the table can be produced according to the user's requirements.
- ◆ It supports a one-year standard warranty.