

Coaxial Circulator 1.0 ~ 3.8GHz

Application

- ▶ RF power amplifier protection.
- ▶ Digital, Satellite, Mobile Communication.
- ▶ Medical, Communication, Security.
- ▶ Military, Space and Commercial applications.

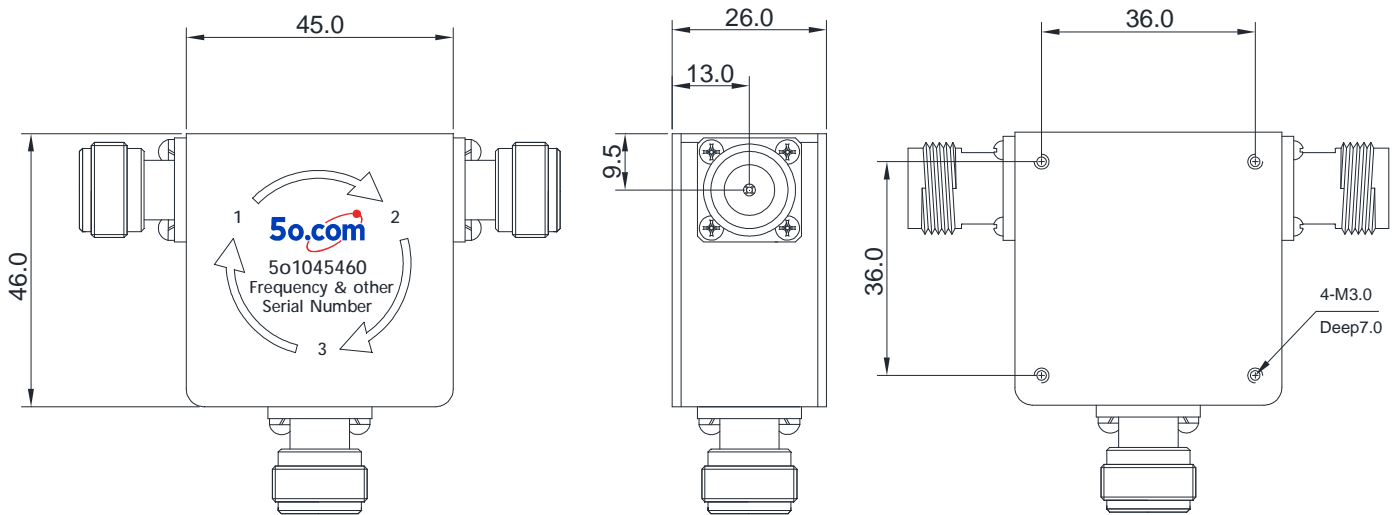
RF Characteristics

Part Number	Frequency Range (MHz)	Isolation Min(dB)	VSWR Max	Insertion Loss Max(dB)	Connector Type	Temp. (°C)
5o104546010001050NK	1000 ~ 1050	23	1.2	0.3	N Female	-40 ~ +85
5o104546010701210NK	1070 ~ 1210	20	1.25	0.4	N Female	-40 ~ +85
5o104546013501550NK	1350 ~ 1550	20	1.25	0.4	N Female	-40 ~ +85
5o104546015001700NK	1500 ~ 1700	20	1.25	0.4	N Female	-40 ~ +85
5o104546017101785NK	1710 ~ 1785	23	1.2	0.3	N Female	-40 ~ +85
5o104546017001900NKNJNK	1700 ~ 1900	23	1.25	0.4	N Female to N Male N Female	-40 ~ +85
5o104546017002100NK	1700 ~ 2100	23	1.2	0.4	N Female	-40 ~ +85
5o104546018052170NK	1805 ~ 2170	20	1.25	0.4	N Female	-40 ~ +85
5o104546018051880NK	1805 ~ 1880	23	1.2	0.3	N Female	-40 ~ +85
5o104546019002200NKNJNK	1900 ~ 2200	23	1.25	0.4	N Female o N Male Male to N Female	-40 ~ +85
5o104546019201990NK	1920 ~ 1990	23	1.2	0.3	N Female	-40 ~ +85
5o104546020002300NK	2000 ~ 2300	20	1.25	0.4	N Female	-40 ~ +85
5o104546020002500NK	2000 ~ 2500	18	1.3	0.5	N Female	-20 ~ +80
5o104546021102170NK	2110 ~ 2170	23	1.2	0.3	N Female	-40 ~ +85
5o104546023002500NK	2300 ~ 2500	23	1.2	0.3	N Female	-40 ~ +85
5o104546023502550NK	2350 ~ 2550	23	1.2	0.3	N Female	-40 ~ +85
5o104546024002600NK	2400 ~ 2600	23	1.2	0.3	N Female	-40 ~ +85
5o104546025002700NK	2500 ~ 2700	23	1.2	0.3	N Female	-40 ~ +85
5o104546027003000NK	2700 ~ 3000	20	1.2	0.4	N Female	-40 ~ +85
5o104546027003100NK	2700 ~ 3100	18	1.3	0.5	N Female	-40 ~ +85
5o104546029003600NK	2900 ~ 3600	18	1.3	0.5	N Female	-40 ~ +85
5o104546031003500NK	3100 ~ 3500	20	1.25	0.3	N Female	-40 ~ +85
5o104546034003800NK	3400 ~ 3800	20	1.25	0.4	N Female	-40 ~ +85

Basic Specifications

Dimension	45*46*26mm
Forward Power	600W
Reverse Power	600W
Connector Type	N(Male/Female)
Storage Temperature	-55°C~+125°C
Impedance	50Ω

Overall Dimension(mm)



Instructions

Tolerances: ±2% unless otherwise stated.

- ◆ It can be dual junction or multiple for high isolation.
- ◆ The connector can be selected according to requirements, Connect type (N Male/ Female, etc.)
- ◆ Only some common frequencies in the table can be produced according to the user's requirements.
- ◆ It supports a one-year standard warranty.