

Coaxial Circulator 40.0 ~ 50.0GHz

Application

- ▶ RF power amplifier protection.
- ▶ Digital, Satellite, Mobile Communication.
- ▶ Medical, Communication, Security.
- ▶ Military, Space and Commercial applications.

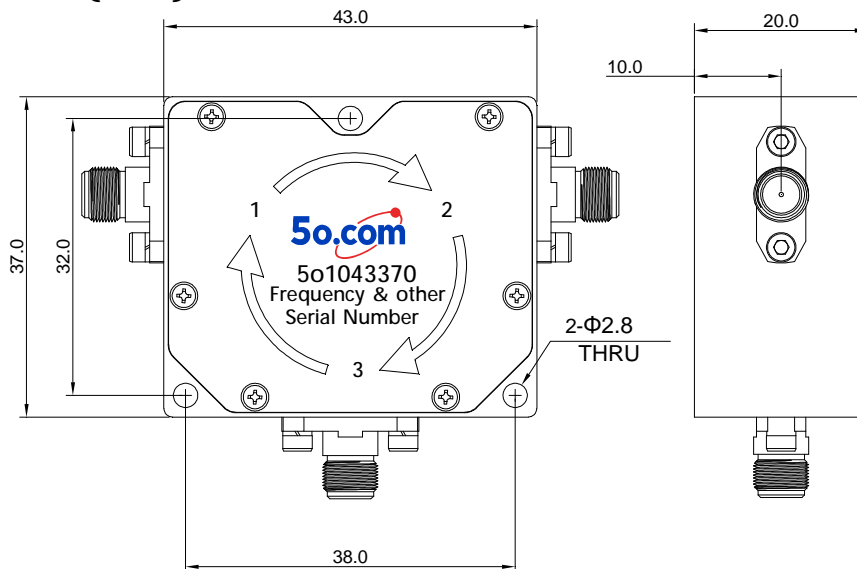
RF Characteristics

Part Number	Frequency Range (MHz)	Isolation Min(dB)	VSWR Max	Insertion Loss Max(dB)	Connector Type
5o1043370404524K	40.0 ~ 45.0	Typ 15 Min 14	Typ 1.5 Max 1.6	Typ 1.3 Max 1.6	2.4mm Female
5o1043370404524J24KT24K	40.0 ~ 45.0	Typ 15 Min 14	Typ 1.5 Max 1.6	Typ 1.3 Max 1.6	2.4mm Male to 2.4mm Female to 2.4mm Female
5o1043370455024K	45.0 ~ 50.0	Typ 15 Min 12	Typ 1.5 Max 1.8	Typ 0.8 Max 1.3	2.4mm Female
5o1043370455024J24K24K	45.0 ~ 50.0	Typ 15 Min 12	Typ 1.5 Max 1.8	Typ 0.8 Max 1.3	2.4mm Male to 2.4mm Female to 2.4mm Female

Basic Specifications

Dimension	43*37*20mm	Impedance	50Ω
Forward Power	10W	Operating Temperature	-40~+85°C
Reverse Power	10W	Storage Temperature	-55~+125°C

Overall Dimension(mm)



Instructions

Tolerances: ±2% unless otherwise stated.

- ◆ It can be dual junction or multiple for high isolation.
- ◆ The connector can be selected according to requirements, Connect type (2.4mm Male/Female)
- ◆ Only some common frequencies in the table can be produced according to the user's requirements.
- ◆ It supports a one-year standard warranty.