

Coaxial Circulator 200 ~ 1875MHz

Application

- ▶ RF power amplifier protection.
- ▶ Digital, Satellite, Mobile Communication.
- ▶ Medical, Communication, Security.
- ▶ Military, Space and Commercial applications.

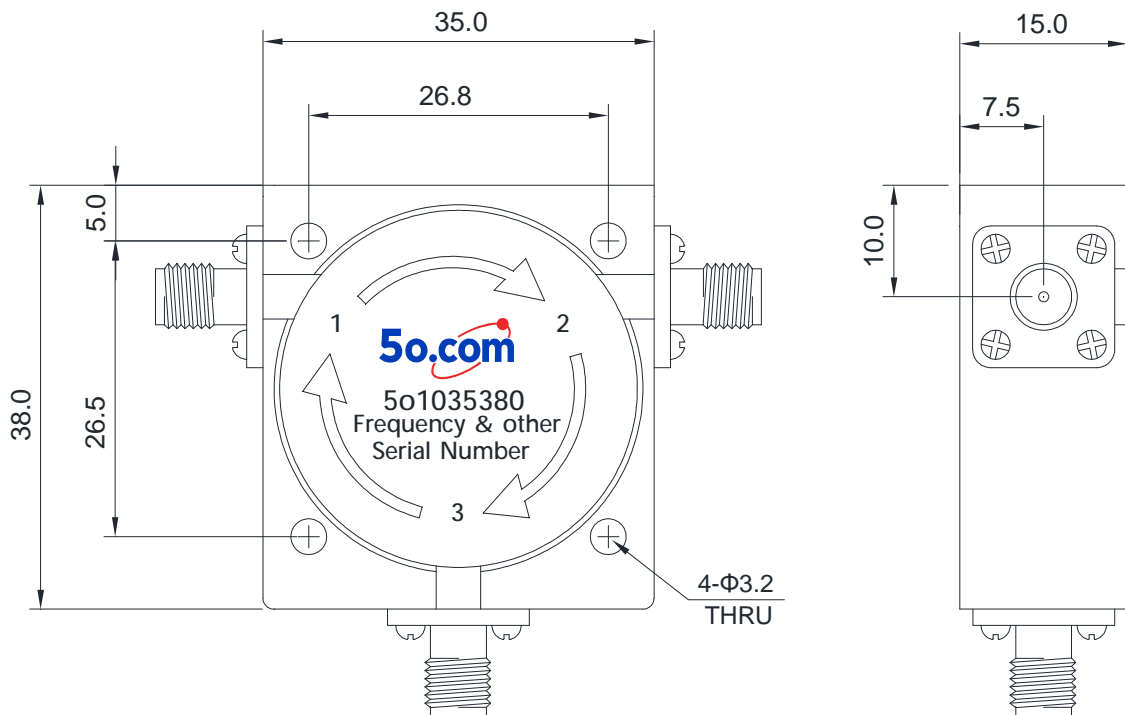
RF Characteristics

Part Number	Frequency Range (MHz)	Isolation Min(dB)	VSWR Max	Insertion Loss Max(dB)	Connector Type	Temp.(°C)
5o1035380220240NK	220 ~ 240	18	1.3	0.65	N Female	-20 ~ +65
5o1035380240260NK	240 ~ 260	18	1.3	0.5	N Female	-20 ~ +65
5o1035380260280NK	260 ~ 280	20	1.25	0.5	N Female	-20 ~ +65
5o1035380309339NK	309 ~ 339	20	1.25	0.4	N Female	-20 ~ +65
5o1035380350370NK	350 ~ 370	21	1.2	0.35	N Female	-20 ~ +65
5o1035380380460SK	380 ~ 460	18	1.3	0.5	SMA Female	-20 ~ +65
5o1035380390410SK	390 ~ 410	23	1.2	0.3	SMA Female	-30 ~ +70
5o1035380400470SK	400 ~ 470	20	1.25	0.4	SMA Female	-30 ~ +70
5o1035380413419SK	413 ~ 419	30	1.15	0.3	SMA Female	-30 ~ +70
5o1035380413419NKNJNK	413 ~ 419	30	1.15	0.3	N Female to N Male to N Female	-30 ~ +70
5o1035380419425NKNJNK	419 ~ 425	30	1.15	0.3	N Female to N Male to N Female	-30 ~ +70
5o1035380450520NK	450 ~ 520	20	1.25	0.4	N Female	-20 ~ +65
5o1035380600800SK	600 ~ 800	19	1.25	0.5	SMA Female	-20 ~ +65
5o1035380700900SK	700 ~ 900	20	1.25	0.4	SMA Female	-30 ~ +70
5o10353807001000SK	700 ~ 1000	16	1.4	0.6	SMA Female	-20 ~ +65
5o1035380770860SK	770 ~ 860	23	1.2	0.3	SMA Female	-30 ~ +70
5o1035380860872SK	860 ~ 872	30	1.15	0.25	SMA Female	-20 ~ +65
5o1035380900930SK	900 ~ 930	30	1.15	0.2	SMA Female	-40 ~ +85
5o103538010001300NK	1000 ~ 1300	20	1.25	0.4	N Female	-30 ~ +70
5o103538011001700NK	1100 ~ 1700	15	1.45	0.5	N Female	-30 ~ +70
5o103538012961298NK	1296 ~ 1298	30	1.15	0.2	N Female	-30 ~ +70

Basic Specifications

Dimension	35*38*15mm
Forward Power	300W/100W
Reverse Power	300W/100W
Connector Type	SMA(Male/Female), N(Male/Female)
Storage Temperature	-55°C~+125°C
Impedance	50Ω

Overall Dimension(mm)



Instructions

Tolerances: ±2% unless otherwise stated.

- ◆ It can be dual junction or multiple for high isolation.
- ◆ The connector can be selected according to requirements, Connect type (SMA Male/Female, N Male/ Female, etc.)
- ◆ Only some common frequencies in the table can be produced according to the user's requirements.
- ◆ It supports a one-year standard warranty.