

# Coaxial Circulator 3.0 ~ 6.0GHz

## Application

- ▶ RF power amplifier protection.
- ▶ Digital, Satellite, Mobile Communication.
- ▶ Medical, Communication, Security.
- ▶ Military, Space and Commercial applications.

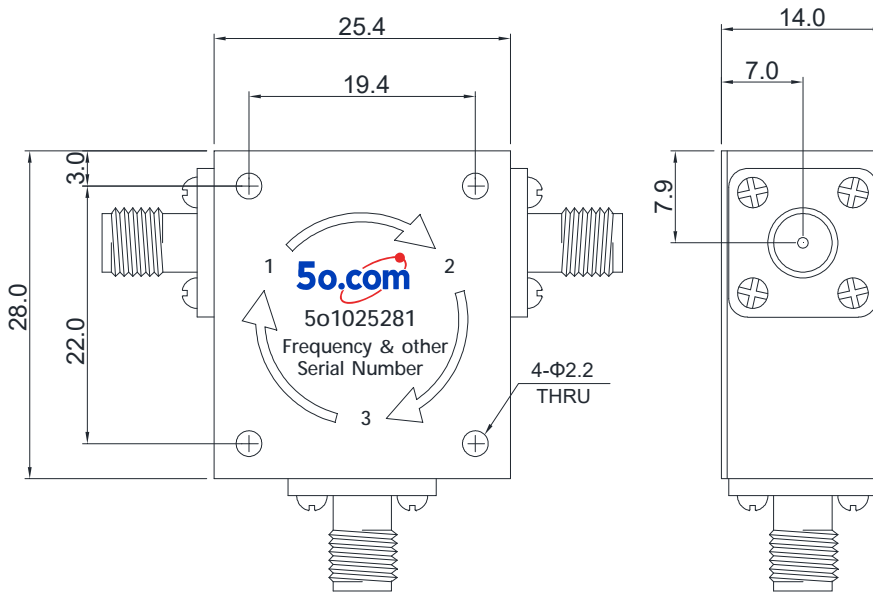
## RF Characteristics

Part Number	Frequency Range (GHz)	Isolation Min(dB)	VSWR Max	Insertion Loss Max(dB)	Connector Type
5o102528136SK	3.0 ~ 6.0	18	1.3	0.5	SMA Female
5o102528136NK	3.0 ~ 6.0	18	1.3	0.5	N Female

## Basic Specifications

Dimension	25.4*28*14mm	Impedance	50Ω
Forward Power	100W	Operating Temperature	-55 ~ +85°C
Reverse Power	100W	Storage Temperature	-55~+125°C

## Overall Dimension(mm)



## Instructions

Tolerances: ±2% unless otherwise stated.

- ◆ It can be dual junction or multiple for high isolation.
- ◆ The connector can be selected according to requirements, Connect type (SMA Male/Female, N Male/ Female, etc.)
- ◆ Only some common frequencies in the table can be produced according to the user's requirements.
- ◆ It supports a one-year standard warranty.