

Coaxial Circulator 700 ~ 5000MHz

Application

- ▶ RF power amplifier protection.
- ▶ Digital, Satellite, Mobile Communication.
- ▶ Medical, Communication, Security.
- ▶ Military, Space and Commercial applications.

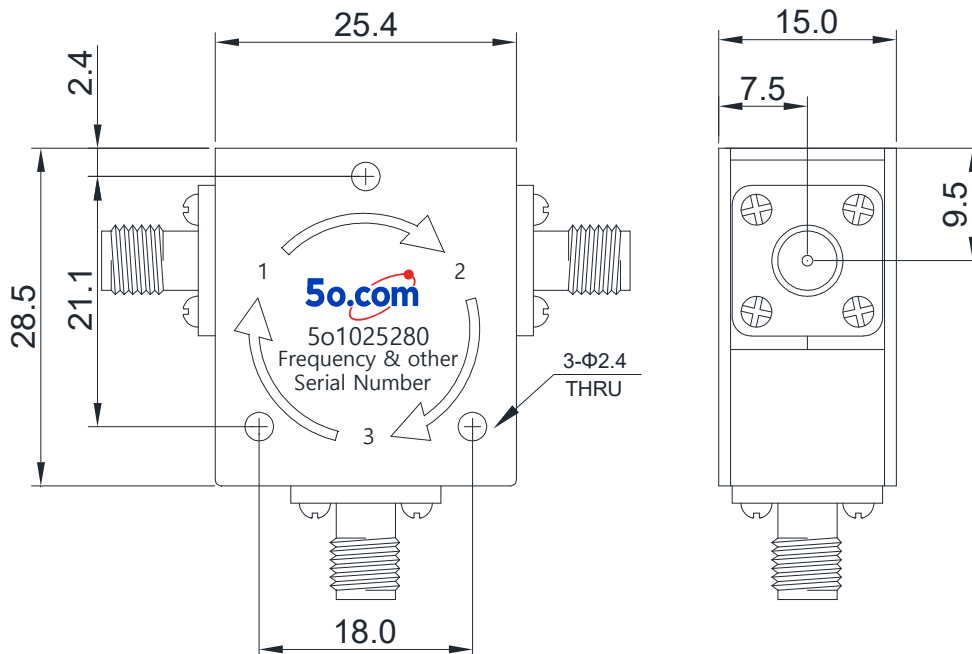
RF Characteristics

Part Number	Frequency Range (MHz)	Isolation Min(dB)	VSWR Max	Insertion Loss Max(dB)	Connector Type	Temp.(°C)
5o1025280700750SK	700 ~ 750	20	1.25	0.4	SMA Female	-30 ~ +70
5o1025280869894NK	869 ~ 894	23	1.2	0.3	N Female	-30 ~ +70
5o1025280925960SK	925 ~ 960	23	1.2	0.3	SMA Female	-30 ~ +70
5o102528012001400SK	1200 ~ 1400	23	1.2	0.3	SMA Female	-40 ~ +85
5o102528015001700NK	1500 ~ 1700	23	1.2	0.3	N Female	-30 ~ +70
5o102528017002200SK	1700 ~ 2200	18	1.3	0.5	SMA Female	-30 ~ +70
5o102528017001900NKNJ	1700 ~ 1900	21	1.25	0.35	N Female to N Male	-30 ~ +70
5o102528019002200NKNJ	1900 ~ 2200	21	1.25	0.35	N Female to N Male	-30 ~ +70
5o102528020002500SK	2000 ~ 2500	20	1.25	0.5	SMA Female	-30 ~ +70
5o102528020002700SK	2000 ~ 2700	18	1.3	0.5	SMA Female	-30 ~ +70
5o102528023002500SK	2300 ~ 2500	23	1.2	0.3	SMA Female	-40 ~ +85
5o102528023003000SK	2300 ~ 3000	18	1.3	0.5	SMA Female	-40 ~ +85
5o102528024002600SK	2400 ~ 2600	23	1.2	0.3	SMA Female	-40 ~ +85
5o102528025002700NK	2500 ~ 2700	23	1.2	0.3	N Female	-40 ~ +85
5o102528026003300SK	2600 ~ 3300	18	1.3	0.5	SMA Female	-30 ~ +70
5o102528027003100SK	2700 ~ 3100	20	1.25	0.4	SMA Female	-40 ~ +85
5o102528028503300SK	2850 ~ 3300	20	1.25	0.4	SMA Female	-40 ~ +85
5o102528030003600SK	3000 ~ 3600	20	1.25	0.4	SMA Female	-40 ~ +85
5o102528034004200SK	3400 ~ 4200	20	1.25	0.4	SMA Female	-40 ~ +85
5o102528035004000SK	3500 ~ 4000	20	1.25	0.4	SMA Female	-40 ~ +85
5o102528040004600SK	4000 ~ 4600	20	1.25	0.4	SMA Female	-40 ~ +85
5o102528044005000SK	4400 ~ 5000	20	1.25	0.4	SMA Female	-40 ~ +85

Basic Specifications

Dimension	25.4*28.5*15mm
Forward Power	100W
Reverse Power	100W
Connector Type	N(Male/Female), SMA(Male/Female)
Storage Temperature	-55°C~+125°C
Impedance	50Ω

Overall Dimension(mm)



Instructions

Tolerances: ±2% unless otherwise stated.

- ◆ It can be dual junction or multiple for high isolation.
- ◆ The connector can be selected according to requirements, Connect type (SMA Male/Female, N Male/ Female, etc.)
- ◆ Only some common frequencies in the table can be produced according to the user's requirements.
- ◆ It supports a one-year standard warranty.